

Breezair™

By SEELEY INTERNATIONAL



Breezair Supercool™ SuperStealth™ TBSI 580

The first inverter axial fan evaporative cooler:
Now with Wi-Fi Smart App

Permatuf™ corrosion-proof cabinet

The Breezair cabinet will not corrode or rust. The UV stabilised structural polymer material is the same type used to make acid baths, battery cases and some space satellite components.

SuperStealth™ fan

SuperStealth axial fan is specifically designed to be more energy efficient and even quieter than the standard Stealth fan.



NEW!!

Black Opal™ MINI-CELL^ Chillcel™ Pads

Our revolutionary Black Opal Mini-Cell Chillcel pads have transformed the aesthetics of our coolers as they seamlessly blend into their surroundings; maintaining our global leading Mini-cell Chillcel pad technology, which increases surface area of the pads by 25%, dramatically multiplying cooling capacity and efficiency - BEYOND BELIEF!

^Patent pending



Invertair™ inverter motor

The Inverter motor is highly efficient throughout the operating range, using far less energy than a standard fan and motor.

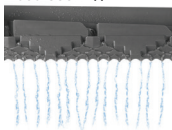


New Venturi

Specifically designed for mounting the Invertair motor and the SuperStealth fan; it ensures minimum disturbance of air stream.

Non-clogging water distribution system

Breezair's non-clogging water distribution is one of the things that make it unique. The water distributor maximises cooling efficiency by supplying a continuous and balanced flow of water across the cooling pads. This is different to any other brand of evaporative coolers, which are subject to water flow variations for a number of reasons. Breezair's balanced flow ensures highest evaporation efficiency and maximum cooling.



MagIQcool™ Controller (standard)

Operate one cooler from an easy to use, wall mounted thermostat controller. The controller comes with 20 m wiring loom, that can be extended up to a maximum length of 100 m.

MagIQtouch™ BMS Control interface (optional)

BMS interface as optional with analogue and digital inputs.



Advanced touch screen MagIQtouch™ Controller (optional)

The technology includes in-built Installation Wizard, making the operating process simple. Coolers are supplied with a standard 20m cable (40m cable can be supplied as optional) to operate up to 60 coolers from a single MagIQtouch controller.

NEW!!

MagIQtouch™ Wi-Fi Smart App (optional)

Now you can control your Breezair evaporative cooler remotely using your smart devices.



Syncing with the MagIQtouch wall controller you can:

- View the live status of your unit
- Turn the system on/off or in free-cooling mode
- Adjust temperatures and fan speeds
- Override the Program Modes



Tornado® water pump

Designed, manufactured and tested by Seeley International, the Tornado pump epitomises reliability.

Clean and dry function

The cooler drains automatically when it's not in use, preventing algae growth and maintaining a clean cooler.

WATERManager™ system

The Breezair WATERManager ensures optimum machine life with minimum maintenance by constantly checking water quality. It senses water quality with a probe that sends a signal back to the electronic module, which then ejects some dirty water and allows fresh water to enter.

AUTOWeatherseal™

The AUTOWeatherseal closes the cooler air discharge outlet automatically, thus significantly reducing natural air currents from circulating in and out of the building.



External Air Sensor (Optional)

Displays current outside temperature. Intuitively optimises water and energy usage based on outside ambient conditions. Extends the life of your air conditioner by automatically draining the water tank when temperature nears freezing.

SEELEY INTERNATIONAL

World leading climate control solutions

Breezair
By SEELEY INTERNATIONAL

The Climate Wizard
By SEELEY INTERNATIONAL

coolair
By SEELEY INTERNATIONAL

Coolerado
By SEELEY INTERNATIONAL

Technical specifications

TBSI 580

Airflow @ 80Pa	Industry standard (m³/h)	10910
Cooling capacity*	(kW)	18.4
Power consumption (total)	Watts max	1500
	Current max (amp)	7.0
Power supply	Voltage / Phases / Hz	200-240 / 1 / 50
Controller	Type	Digital
Fan	Type	Axial
	Dia (mm)	534
Motor	Type	Inverter
	Speed max (rpm)	1700 VAR
	Output Watts max	950
	Overload & Fuse	Two 'one-shot' fuse
	Enclosure	IPX4
Pump	Type	Centrifugal
	Motor	Synchronous
	Rating Watts (input)	25
	Flow rate (L/min)	21
	Voltage / Phases / Hz	230 / 1 / 50
	Overload	Auto reset
	Enclosure rating	IPX4
Cooling pad Chillcel™	Size (mm)	850 x 526 (H) x 120 (4 pads)
	Pad area (m²)	1.79
Water	Tank capacity (L)	23
	Inlet (mm / inches)	12.7 / ½" male BSP
	Drain (mm / inches)	40 / 1½" male BSP
Shipping	Dimensions including pallet (mm)	1150 x 1150 x 902 (H)
	Volume (m³)	1.19
	Mass (kg)	68
	Operating (kg)	91
Connecting duct (raw edged)	Length x width (mm)	550 x 550

*Cooling capacity measured to Australian Standard AS2913-2000, ambient of 38°C dry bulb and 21°C wet bulb, with room exit temperature of 27.4°C.

COOLER DISCHARGE AIR TEMPERATURE CHART

Ambient Dry Bulb Temperature °C	Ambient Relative Humidity %								
	10	20	30	40	50	60	70	80	90
10	2.2	3.2	4.2	5.1	5.9	6.8	7.6	8.4	9.2
15	5.6	6.8	8.0	9.1	10.2	11.2	12.2	13.2	14.1
20	8.8	10.3	11.7	13.1	14.4	15.6	16.8	18.0	19.0
25	11.8	13.7	15.4	17.0	18.6	20.0	21.3	22.6	23.8
30	14.8	17.1	19.1	21.0	22.8	24.4	25.9	27.4	28.7
35	17.7	20.4	22.8	25.0	27.0	28.8	30.5	32.1	33.6
40	20.7	23.7	26.5	29.0	31.2	33.3	35.2	36.9	38.5
45	23.5	27.1	30.3	33.1	35.5	37.8	39.8	41.7	43.4
50	26.3	30.5	34.1	37.1	39.8	42.2	44.5	46.4	48.3

This chart represents approximate air temperatures based on cooling performance at sea level. From tests carried out to Australian Standard 2913.



eurosales@seeleyinternational.com
uksales@seeleyinternational.com

www.seeleyinternational.com



Seeley International France
320 Avenue Berthelot
69371 Lyon Cedex 08
France
Phone: +33 (0) 472 7847 80

Seeley International Italy
Loc. Policiano 72/M
52100 Arezzo Italy
Phone: +39 (0) 575 97189

Seeley International UK
Unit 11 Byron Business Centre,
Duke Street
Hucknall Nottingham
NG15 7HP United Kingdom
Phone: +44 (0) 115 9635630

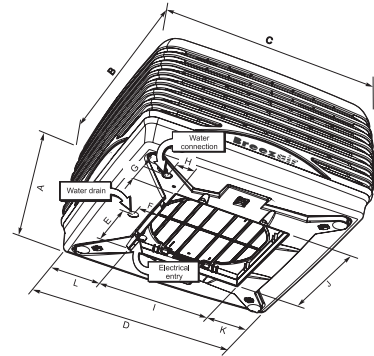


25 Years
Corrosion-free
cabinets
guarantee

10 Years
Structural
components
guarantee

2 Years
Pump, motor
& electronic control
module guarantee

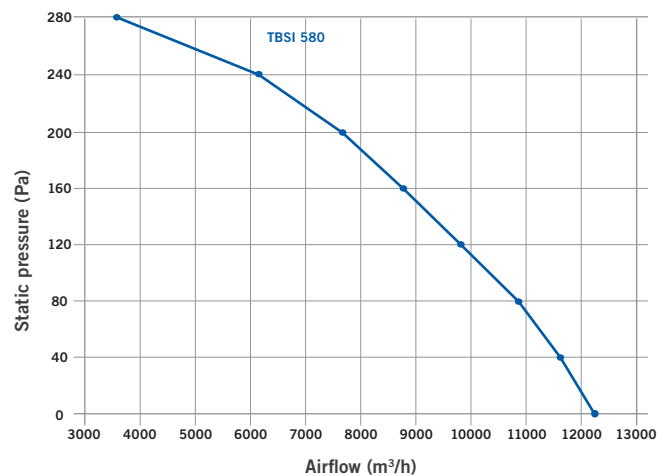
CABINET DETAILS



Model#	A	B	C	D	E	F	G	H	I*	J*	K	L
TBSI 580	835	1150	1150	1080	275	95	82	82	555	555	249	279

Note: All dimensions are in mm. *Dropper dimensions

FAN CURVE



Model#	Industry STD Rating m³/h @ 80Pa	Motor W	Certified Air Delivery (m³/h) (static pressure Pa)							
			0	40	80	120	160	200	240	280
TBSI 580	10910	950	12240	11660	10910	9860	8820	7700	6160	3600