

Breezair
By SEELEY INTERNATIONAL 

ICON® EXQ SERIES

HIGH PERFORMING RESIDENTIAL



WORLD-LEADING NATURAL COOLING TECHNOLOGY



Introducing the advanced
MAGIQTOUCH®
Next generation smart controller

THE BREEZAIR ICON® EXQ SERIES: VARIABLE SPEED WORLD-LEADING NATURAL COOLING TECHNOLOGY

The Breezair ICON® EXQ Series features the most efficient and quietest evaporative air conditioners available. The ICON® EXQ offers all of benefits exclusive to Seeley International – while delivering 100% fresh, cool, outside air at much lower costs than refrigerated cooling methods.

DIGITAL SMARTBOX™ / CONTROL POWER MODULE

A state-of-the-art digital electronic control means optimum performance.

The Smartbox digital control module monitors and controls all of the cooler's features to provide ultimate comfort conditions, temperature sensing and water quality supervision – safely and reliably.

ULTRA-QUIET CENTRIFUGAL FAN

The Breezair forward curved, centrifugal fans are made from injection-molded polypropylene.

The Breezair centrifugal fans are double-width, statically and dynamically balanced with aerofoil blades providing high pressure and low noise levels.

HUSHPOWER® DIRECT DRIVE INVERTACOOL MOTOR

This variable-speed motor is quiet and efficient, uses less energy and is corrosion resistant.

TORNADO® WATER PUMP

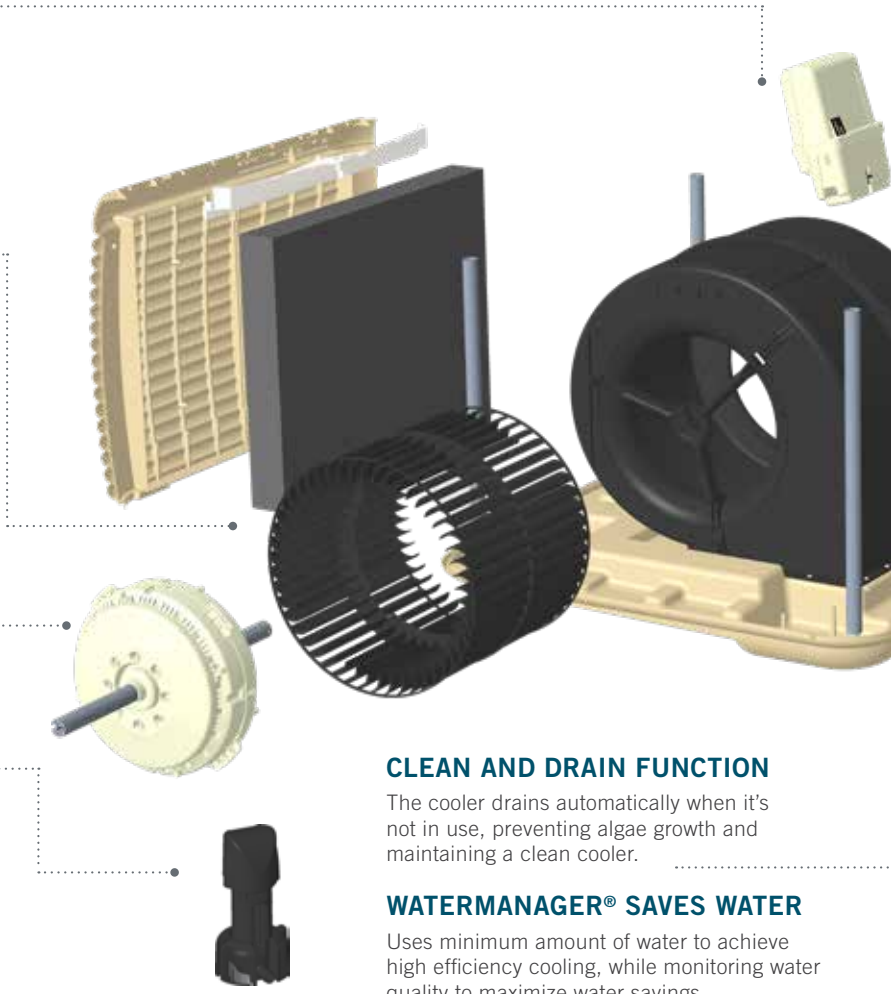
The Tornado pump is built to last and features an encapsulated motor with thermal overload protectors preventing water from getting in. Plus, it has impact-start feature that will overcome any tendency for the pump to become locked up with residue during prolonged off periods. The strong synchronous motor has constant speed, independent of voltage fluctuations.

CLEAN AND DRAIN FUNCTION

The cooler drains automatically when it's not in use, preventing algae growth and maintaining a clean cooler.

WATERMANAGER® SAVES WATER

Uses minimum amount of water to achieve high efficiency cooling, while monitoring water quality to maximize water savings.



MAGIQTOUCH® (Additional Cost) TOUCH SCREEN TECHNOLOGY

Smart with sophisticated and incredibly intuitive, your MagIQtouch® controller makes operating your Breezair, a breeze. Control the temperature, fan speed and many more features on a user friendly touch screen. Discreet and modern design will blend seamlessly into the décor of your home.



MAGIQTOUCH®
wired controller

Touch screen, wall mounted controller wired to your home



MAGIQTOUCH®
wireless controller
(Radio Frequency)

Use the latest in Radio Frequency (RF) channel hopping technology with no need for wiring



THE INTELLIGENT CHOICE FOR YOUR HOME, THE ENVIRONMENT AND YOUR BUDGET

Unlike air-conditioning that requires harsh, earth-unfriendly chemicals to cool the air, Breezair uses only water. That makes the Breezair cooling system the green alternative – and the environmentally conscious choice.

When cooling your home with ICON® EXQ evaporative cooling, it's the smartest move you can make.

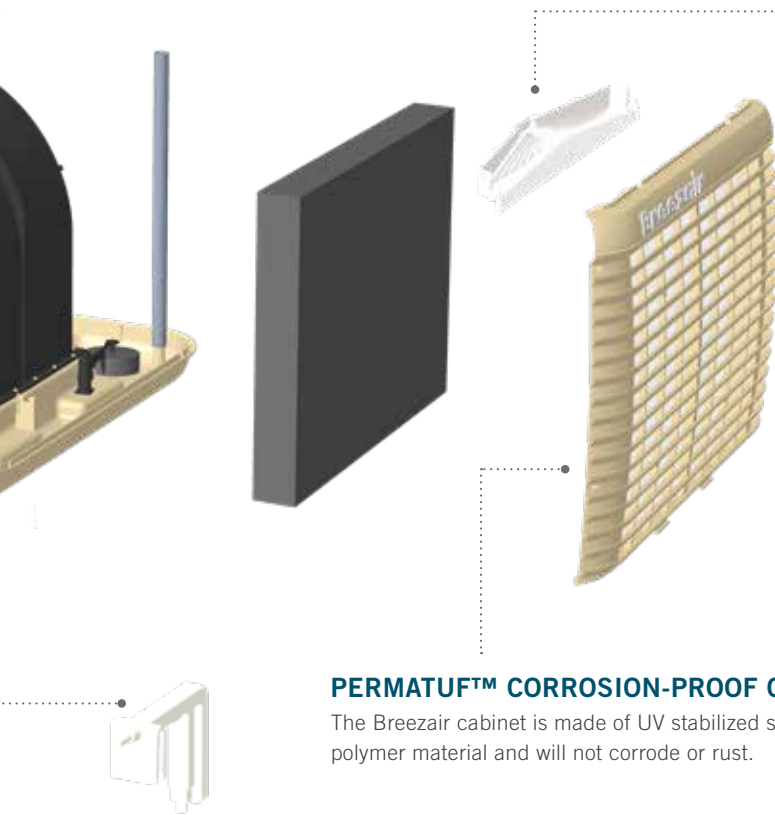
The advantages for your budget and for the environment are obvious with this green, environmentally conscious cooling system.

THE BREEZAIR COOLING SYSTEM:

- Is more energy-efficient and cheaper to run when compared to a standard efficiency ducted refrigerated system!
- Is healthier for the environment – drastically reduced power use, no harmful emissions and no synthetic refrigerants
- Is easier to install and easier to maintain
- Delivers 100% fresh air

NON-CLOGGING WATER DISTRIBUTION SYSTEM

Breezair's patented non-clogging water distribution system maximizes cooling efficiency by supplying continuous water flow across the cooling pads. It maintains perfect pad saturation providing the highest evaporation efficiency and superior cooling.



PERMATUF™ CORROSION-PROOF CABINET

The Breezair cabinet is made of UV stabilized structural polymer material and will not corrode or rust.

BREAKTHROUGH BLACK OPAL™ MINI-CELL CHILLCEL® PAD TECHNOLOGY

- The only evaporative cooling medium of its kind. Fully manufactured in Australia. It's an **absolute out-performer!**
- Exclusive small cell design provides cutting-edge cooling capacity.
- Maintains our global leading Mini-Cell Chillcel® pad technology, which increases surface area of the pads by 25%, dramatically multiplying cooling capacity and efficiency - **BEYOND BELIEF!**
- **BLACK OPAL™ MINI-CELL CHILLCEL® pads** deliver transformational aesthetics to your home enabling the unit to blend seamlessly into its surroundings.

OPTIONAL EXTRAS MAGIQTOUCH® AIR SENSORS



Internal Air Sensor

A remote temperature and humidity sensing module.

Enables the MagiQtouch® Controller to be mounted in a convenient location (e.g. living area), while still sensing air from the conditioned space.

External Air Sensor

Intuitively optimizes water and energy usage based on outside ambient conditions and displays current outside temperature.

Sensing module automatically drains the water tank when temperature nears freezing.

COOLER CONNECTIVITY

Operate multiple coolers from a single MagiQtouch® controller, using optional link module and wiring loom – no special controllers required!
For all connectivity options, please refer to the installation manual.

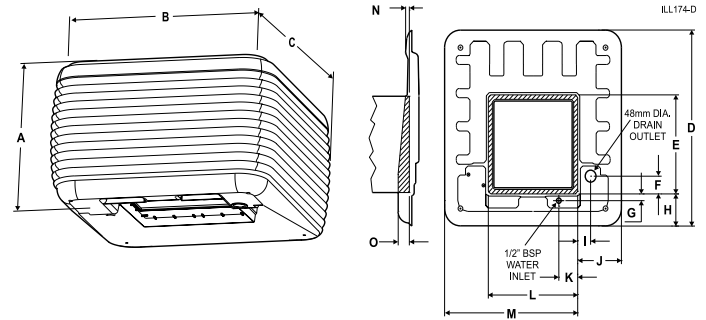
| Specification | | EXQ 170 | EXQ 210 |
|---------------------------|--------------------------------------|---|--|
| Airflow | Industry standard (CFM) | 7,500 | 9,500 |
| Cooling Capacity* | BTU | 39,580 | 49,475 |
| Power Consumption (total) | Power Max (W) | 1,220 | 1,870 |
| | Current - Rated (A) | 6.0 | 10.0 |
| Power Supply | Voltage / Phases / Hz | 220-240 / 1 / 60 | 220-240 / 1 / 60 |
| Controller | Type | Digital | Digital |
| Fan | Type | Centrifugal | Centrifugal |
| | Diameter (inches) | 18 1/2 x 15 | 18 1/2 x 15 |
| Motor | Type | Direct Drive | Direct Drive |
| | Speed Max (RPM) | 510 VAR | 680 VAR |
| | Output Max (W) | 750 @ 200-264V | 1,500 @ 200-264V |
| | Overload | Auto reset | Auto reset |
| | Enclosure Rating | IP2X | IP2X |
| Pump | Type | Centrifugal | Centrifugal |
| | Motor | Synchronous | Synchronous |
| | Current - Rated (A) | 0.5 | 0.5 |
| | Flow rate (gal / min) | 5.5 | 5.5 |
| | Voltage / Phases / Hz | 200-240 / 1 / 60 | 200-240 / 1 / 60 |
| Cooling pad Chillcel™ | Size (inches) | 31 1/2 x 25 (H) x 3 1/2 (4 pads) | 31 1/2 x 25 (H) x 3 1/2 (2pads) 31 1/2 x 25 (H) x 4 (2pads) |
| | Pad area (feet²) | 22 | 22 |
| Water | Tank capacity (gal) | 2.9 | 2.9 |
| | Inlet (inches) | 1/2" male BSP | 1/2" male BSP |
| Shipping | Dimensions (inches) including pallet | 45 1/2 x 45 1/2 x 37 1/2 (H) | 45 1/2 x 45 1/2 x 37 1/2 (H) |
| | Volume (feet³) | 45.6 | 45.6 |
| | Mass - Shipping (lbs) | 183 | 185 |
| | Mass - Operating (lbs) | 199 | 201 |
| Connecting Duct | Length x Width (inches) | 21 1/8 x 21 1/8 (19% sq roof jack adapter included) | 21 1/8 x 21 1/8 (19% sq roof jack adapter included) |

Cooling capacity measured to Australian Standard AS2913-2000, ambient of 100.4°F dry bulb and 69.8°F wet bulb, with room exit temperature of 81.3°F.

Cooler Discharge Air Temperature Chart

| | | Ambient Relative Humidity % | | | | | | | | |
|---------------------------------|-----|-----------------------------|-----|-----|-----|-----|-----|-----|-----|-----|
| | | 10 | 20 | 30 | 40 | 50 | 60 | 70 | 80 | 90 |
| Ambient Dry Bulb Temperature °F | 50 | 36 | 38 | 40 | 41 | 43 | 44 | 46 | 47 | 49 |
| | 60 | 43 | 45 | 47 | 49 | 51 | 53 | 55 | 57 | 58 |
| | 70 | 50 | 53 | 55 | 57 | 60 | 62 | 64 | 66 | 68 |
| | 80 | 56 | 59 | 62 | 65 | 68 | 71 | 73 | 76 | 78 |
| | 90 | 62 | 66 | 70 | 73 | 77 | 80 | 83 | 85 | 88 |
| | 100 | 68 | 73 | 77 | 82 | 85 | 89 | 92 | 95 | N/A |
| | 110 | 74 | 80 | 85 | 90 | 94 | N/A | N/A | N/A | N/A |
| | 120 | 79 | 87 | 93 | 98 | 102 | N/A | N/A | N/A | N/A |
| 130 | 85 | 94 | 100 | 106 | N/A | N/A | N/A | N/A | N/A | |

This chart represents approximate air temperatures based on 89% saturation efficiency at sea level. From tests carried out to Australian Standard 2913.



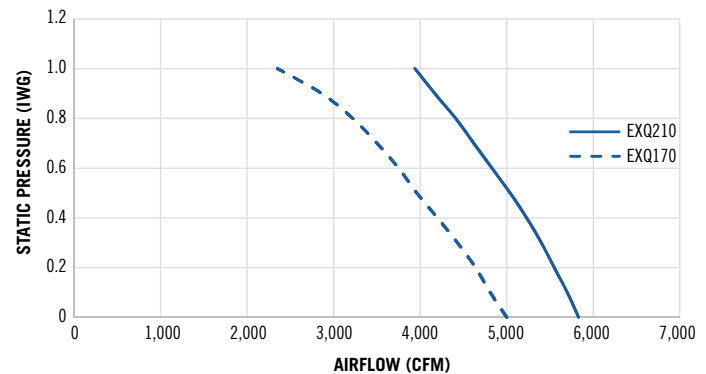
| CABINET DETAILS | | | | | | | | | | | | | | | |
|-----------------|----|--------|--------|--------|--------|-------|-------|-------|-------|--------|-------|--------|--------|-------|-------|
| Model# | A | B | C | D | E | F | G | H | I | J | K | L | M | N | O |
| EXQ 170 | 34 | 45 3/4 | 45 3/4 | 43 3/4 | 21 7/8 | 4 1/4 | 1 1/2 | 7 1/4 | 3 3/4 | 10 3/4 | 4 3/4 | 21 1/8 | 32 3/4 | 1 1/2 | 3 1/4 |
| EXQ 210 | 34 | 45 3/4 | 45 3/4 | 43 3/4 | 21 7/8 | 4 1/4 | 1 1/2 | 7 1/4 | 3 3/4 | 10 3/4 | 4 3/4 | 21 1/8 | 32 3/4 | 1 1/2 | 3 1/4 |

Note: All dimensions are in inches.

Typical installation

| | |
|------------------------|---|
| Drain outlet | 1 1/2" BSP to 3/4" OD Reducer piece designed for push-on use with a flexible hose (3/4" ID) or solid PVC pipe (3/4" ID) |
| Water inlet | 1/2" BSP to 3/8" Nom or 1/2" BSP to 1/4" compression adapter pieces |
| Electrical | 1/2" Flexible conduit |
| Control kit (required) | Option 1: MagIQtouch® WIRED Wall Control KIT Part #094298 Option 2: MagIQtouch® WIRELESS Wall Control KIT Part #118574 |

FAN CURVE (CFM)



| Model | Industry Standard CFM | Motor (W) | Air Flow - Cubic feet/min (CFM) vs. Inch water gauge (IWG) | | | | | | |
|--------|-----------------------|-----------|--|-------|-------|-------|-------|-------|-------|
| | | | 0.0 | 0.1 | 0.2 | 0.3 | 0.4 | 0.5 | 0.6 |
| EXQ170 | 7,500 | 750 | 5,000 | 4,810 | 4,640 | 4,430 | 4,200 | 3,960 | 3,750 |
| EXQ210 | 9,500 | 1,500 | 5,830 | 5,700 | 5,550 | 5,400 | 5,230 | 5,040 | 4,830 |



BREEZAIR GUARANTEE

For complete peace of mind, Breezair backs every one of its air conditioning systems with an industry leading comprehensive guarantee program. Refer to your owner's manual for all service and guarantee terms and conditions.

www.seeleyinternational.com



Seeley International Americas
1002 S. 56th Avenue, Suite #101, Phoenix, AZ 85043 | 602.353.8066
4430 Glencoe Street, Denver, CO 80216 | 303.375.0878
ussales@seeleyinternational.com
Information in this brochure was correct at the time of preparation. E & OE

