



**The world's leading
hyper-efficient air conditioner
with an exceptional compact footprint**



Advanced Commercial HVAC Technology

The future of cooling. Climate Wizard CW3.

Micro-Core® technology - The secret to hyper-efficient cooling.

Climate Wizard CW3 uses Seeley International's latest innovation, a new Micro-Core® technology for smaller or uniquely challenging applications. The concept of how it works remains unchanged, combined with equally effective cooling performance found in Climate Wizard's other commercial models; such as the CW-P15, CW-H15 and CW-80.



Outstanding cooling performance.

CW3 provides hyper-efficient cooling of outside air and up to **80% lower cooling energy costs**¹, compared to equivalent reverse cycle systems, with the added benefit of supplying 100% fresh, cool air into the building, increasing Indoor Air Quality (IAQ).

CW3 delivers incredible part load performance due to its inverter technology fans. During conditions where the full cooling requirement is not needed, the CW3 is able to provide a part load COP up to 20 and an input power of only 300W at low speed. The CW3 contains an on-board sophisticated control system that ensures peak efficiency during all operating conditions.

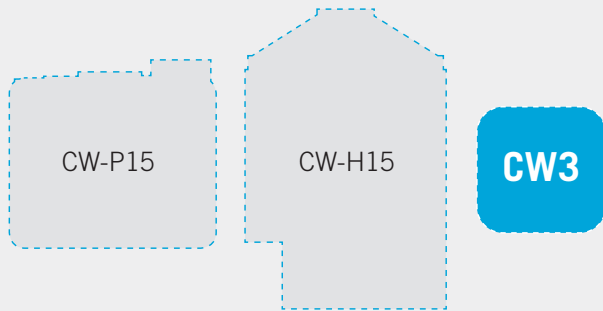
New Micro-Core® counter-flow heat exchanger.



How it works.

- ① Hot air enters the cooler
- ② Hot air passes through the Micro-Core®
- ③ Warm, moist air exhausted outside
- ④ Fresh, cool outside air passes into the building

Compact footprint vs. other Climate Wizard models



CW3 provides an energy-efficient cooling alternative into buildings where reverse cycle was previously the only option. Its ingenious design has enabled an extremely compact footprint.

Our other Climate Wizard offerings suit an extensive range of installation types and now the CW3 provides a more compact option, opening up new installation opportunities where plant room or roof space is restricted.

A wide range of applications.

Designed to meet the cooling and fresh air requirements of buildings across many sectors, particularly where there is constant access by customers or occupants, spaces constantly open to outdoors or where doors are frequently opening and closing.



Business owners can cut up to 80% of their cooling energy costs which is critical to their bottom line.²

CW3 also delivers optimal cooling performance in specialised applications including:

- Exhaust / make-up air applications such as commercial kitchens / food preparation and laundries
- Spot cooling above work stations to cool equipment or workers in processing, manufacturing or warehouse environments boosting staff productivity and well-being as well as customer comfort.

Advanced next generation smart controllers.

Optional with CW3

MagIQtouch® controller.



Optional with CW3

MagIQtouch® BMS industrial controller MS1.



Supply air temperature

Location	Design condition	CW3 Leaving Air Temp (°C)	Stand Alone Cooling Capacity (kW)	COP
Arid	42°C DB / 21°C WB	19.5	10	6.8
Temperate	37°C DB / 19°C WB	17.8	14	8.4
Continental	31°C DB / 20°C WB	19.7	12	7.2
Sub-Tropical	31°C DB / 23°C WB	23.0	7	4.3



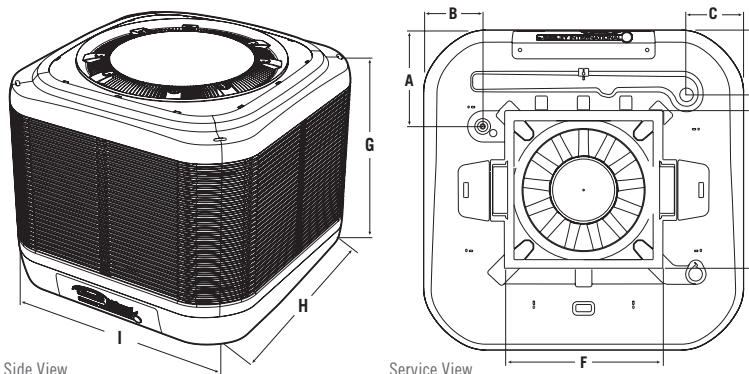
¹Seeley International's calculations from performance data logged in NATA accredited testing facility, compared to refrigerated (standard efficiency AC) systems performing the same duty and publicly sourced running cost figures. ²Compared to standard efficiency systems performing the same duty. Dependent on final system design for individual applications. We recommend consultation with a Seeley International Sales Engineer to establish the most appropriate product selection.

Technical Specifications

CW3		
Operation	Voltage/Phases/Hz	220-240 V / 1 / 50-60 Hz
	Power	1,750W
	Current Draw Rated	7.0A
	Stand alone Cooling Capacity ³	12.0 kW
Fans	Airflow @ 50Pa	1,490 L/s 5,360 m ³ /hr
	Fan Type	Supply: Axial Exhaust: Centrifugal-Backward Curved
	Motor Type	Inverter driven variable speed
	Motor Output	Supply: 750W Exhaust: 950W
Pumps	Motor Overload Protection	'One-Shot' fuse
	Type	Centrifugal (Vertical)
	Motor	2 Pole Synchronous
	Power – rated	30W
Heat Exchanger Cores	Flow Rate	13 LPM @ 1.5 Head
	Voltage / Phases / Hz	220-240 V / 1 / 50-60 Hz
	Overload	'One-Shot'
Water	Enclosure Rating	IPX4
	Climate Wizard Patented 2-Stage Heat Exchanger Cores	Indirect: x8 Direct: x8
	Water Supply	Min.100kPa & 10L/min Max.800kPa & 20L/min Connection ½" BSP
Filtration	Water Drain	Water Drain Connection ½" BSP
	Air Filters	8x Type G4 Standard Cartridge Aluminium Washable 635mm x 356mm x 25mm
Shipping	Tank Capacity	30L
	Dimensions	1175mm (L) x 1175mm (W) x 1045mm (H)
Installation	Weight	210kg
	Connected Duct	530 x 530mm
	Operating Weight	240kg

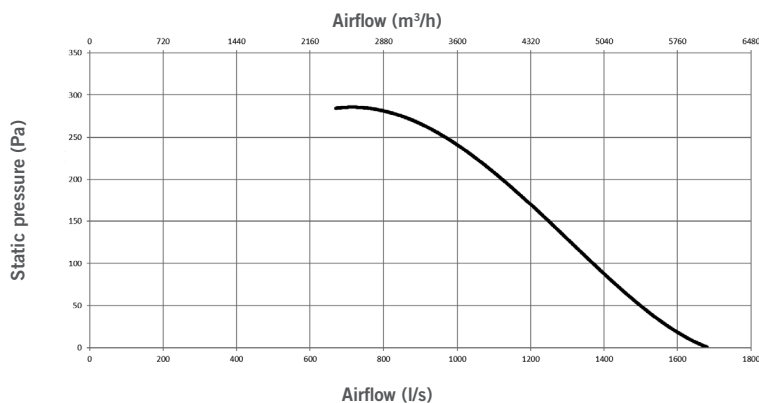
Note: specifications subject to change. ³Max Cooling Capacity tested in accordance with ASHRAE 143 conditions of 38.0 °C db / 21.0 °C wb in accordance with Australian Standard AS2913.

Cabinet details



Model	A	B	C	D	E	F	G	H	I
CW3 (mm)	346 Inlet	212 Inlet	204 Drain	230 Drain	570 Suits 530mm dropper	565 Suits 530mm dropper	1018	1157	1157

Fan curve

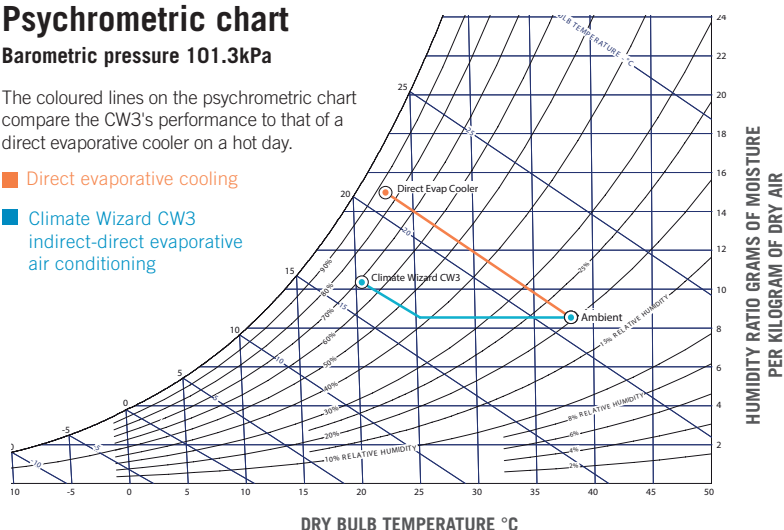


Psychrometric chart

Barometric pressure 101.3kPa

The coloured lines on the psychrometric chart compare the CW3's performance to that of a direct evaporative cooler on a hot day.

- Direct evaporative cooling
- Climate Wizard CW3 indirect-direct evaporative air conditioning



eurosales@seeleyinternational.com
uksales@seeleyinternational.com

www.seeleyinternational.com



Seeley International France
320 Avenue Berthelot
69371 Lyon Cedex 08
France
Phone: +33 (0) 472 7847 80

Seeley International Italy
Loc. Policiano 72/M
52100 Arezzo Italy
Phone: +39 (0) 575 97189

Seeley International UK
Unit 11 Byron Business Centre,
Duke Street
Hucknall Nottingham
NG15 7HP United Kingdom
Phone: +44 (0) 115 9635630

