

## TECHNICAL SPECIFICATIONS - TBS580

### GENERAL SPECIFICATIONS:

#### CABINET and WATER RESERVOIR

The cabinet and water reservoir components are injection moulded structural foam polypropylene (Permatuf®). The cabinet and reservoir are UV stabilised and corrosion free. The major components clip together without additional fasteners.

#### FAN

The fan is a multi blade assembly constructed of glass reinforced polypropylene. The blades are aerofoil shaped. The fan is mounted to the motor shaft by means of a screw-on collet.

#### FAN MOTOR

Single phase, permanent split capacitor (P.S.C.) motors, with die-cast fully enclosed aluminium frame and IP24 rated enclosure, designed to IEC60034. The motor and fan assembly are supported on an injection moulded glass reinforced polypropylene venturi ring by the stator blades. The fan motor is fitted with a polarised plug for quick removal and replacement.

#### WEATHERSEAL

The weatherseal consists of two semi-circular, polypropylene blades, hinged and counterbalanced, to open automatically when the fan is activated, and to close when the fan is switched off. Latching is by magnets to steel striker plates.

#### MAIN CONNECTION DUCT

The main connection duct must incorporate a raw edge or safe edge to avoid fouling of the weatherseal.

### AIR FLOW PERFORMANCE SUMMARY

Model	Airflow L/s (m³/h) @ 80Pa	Motor W	Air Flow - L/s (m³/h) versus Static Pressure (Pa)				
			0	40	80	120	160
TBS580	2780 (10010)	950	3170 (11410)	3000 (10800)	2780 (10010)	2520 (9070)	2210 (7960)

It is a policy of Seeley International to introduce continual product improvement. Accordingly specifications are subject to change without notice.

#### ELECTRICAL CONTROL

The electrical control box is pre-wired within the cooler and incorporates an isolating switch.

A 2 metre long power supply cord is supplied as standard. Provision is included for plug-in connection of drain valve and solenoid kits. A 12 amp circuit breaker is fitted to the underside of the enclosure.

#### THERMOSTAT CONTROL

TBS model coolers feature the MagIQcool® controller, for fully automatic control. Connection of the controller to the control box is via the 20 metre low voltage cable supplied.

#### WATER CONNECTION

Water supply connection is via a flexible connector which is terminated with a 1/2" BSP compression nipple. An isolating valve must be fitted adjacent to the cooler for service. A drain-down facility is required in areas subject to freezing.

The patented water distribution system is an integral part of the lid, and can be readily viewed from the top by removing the pad frame assembly.

#### COOLING PADS

Cooling filter pads are black Mini-Cell<sup>^</sup> Chillcel® fabricated, honeycomb, high efficiency type.

#### SPECIAL FEATURES

TBS Coolers are available in "Slate Grey" colour.

## TECHNICAL SPECIFICATIONS - TBS580

Specification		TBS580
Airflow	Actual @ 80Pa (L/s)	2780
	Actual @ 80Pa (m <sup>3</sup> h)	10010
Cooling Capacity*	kW	16.8
Evaporative Efficiency	Percentage (%)	91.3
Power Consumption (total)	Power Max (W)	1210
	Current - Rated (A)	6.0
	Energy Efficiency Ratio (EER)	13.9
Power Supply	Voltage / Phases / Hz	220-240 / 1 / 50
Controller	Type	Digital
Fan	Type	Axial
	Diameter - External (mm)	541
	Capacity	High
Motor	Type	PSC
	Speed Max (rpm)	1350 VAR
	Output Max (W)	950
	Current Rated (A)	5.5
	Capacitor (uF/V)	30 / 440
	Overload	Auto Reset & One Shot Fuse
Pump	Enclosure Rating	IP24
	Type	Centrifugal
	Motor	Synchronous
	Power - Rated (A)	0.25
	Flow Rate (L/min)	21
	Voltage / Phases / Hz	230 / 1 / 50
	Overload	Thermal One Shot Fuse
Cooling Pad Chillcel	Enclosure Rating	IPX4
	Size (mm)	850 x 526H x 120 (4 pads)
Water	Pad Area (m <sup>2</sup> )	1.79
	Tank Capacity (L)	23
	Inlet (mm/inches)	12.7mm / 1/2" male BSP
	Drain (mm/inches) Configurable to local requirements	40mm / 1 1/2" male BSP
Shipping	Dimensions (mm) including pallet	1150 x 1150 x 902H
	Volume (m <sup>3</sup> )	1.20
	Mass - Shipping (kg)	68
	Operating (kg)	91
Connecting Duct (raw edged)	Length & Width (mm)	550 x 550

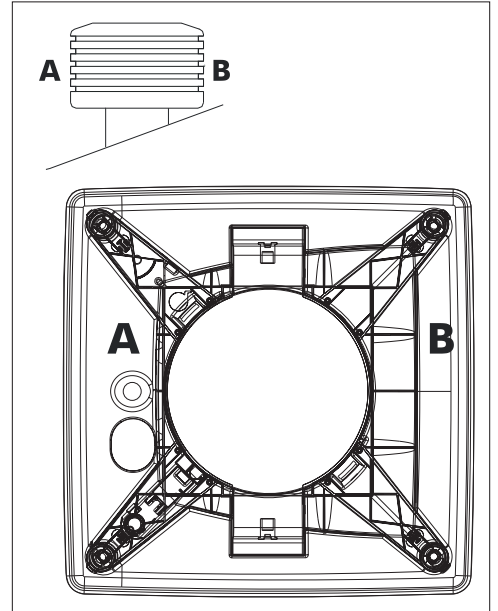
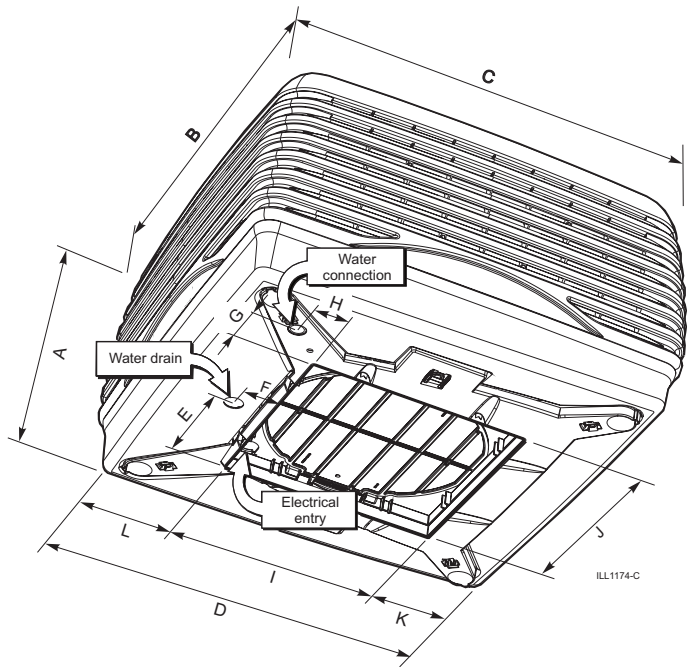
\* Cooling capacity measured to Australian Standard AS2913-2000, ambient of 38°C dry bulb & 21°C wet bulb, with room exit temperature of 27.4°C.



**Air flow performance has been measured in accordance with Australian Standard AS2913:2000 "Evaporative Air Conditioning Equipment" by Meridian Laboratories Pty Ltd**

\*Meridian Laboratories is registered by the National Association of Testing Authorities, Australia. The tests reported herein have been performed in accordance with its terms of registration. Registration No.: 3697

**TECHNICAL SPECIFICATIONS - TBS580**



Model	A	B	C	D	E	F	G	H	I	J	K	L
TBS580	835	1150	1150	1080	275	95	82	82	555	555	249	279

Dimensions are in mm.

**FAN CURVE (m<sup>3</sup>/hr)**

