



**The world's leading
hyper-efficient air conditioner
with an exceptional compact footprint**



Advanced Commercial HVAC Technology

The Climate Wizard™ CW3 is a game-changer for residential, commercial and industrial markets

The future of cooling. Climate Wizard™ CW3

Imagined, engineered and manufactured in Australia, the Climate Wizard™ CW3 draws on Seeley International's 50 years of evaporative cooling experience to develop unparalleled performance, reliability and value.

The Climate Wizard™ CW3 is an environmentally friendly cooling solution that uses only water and electricity to operate, and its cost savings continue to increase as temperatures rise. The air delivered is colder and drier than traditional evaporative designs while dramatically enhancing Indoor Air Quality (IAQ) and increasing ventilation rates. As a result, The Climate Wizard™ CW3 achieves next-generation cooling and comfort with minimum added humidity.



What makes the CW3 hyper-efficient?

CW3 provides hyper-efficient cooling of outside air and up to **80% lower cooling energy costs*** compared to standard efficiency air conditioning, with the added benefit of supplying 100% fresh, filtered air (with no recirculated air) to flush out contaminants, odors, pollens and dust particles that may build up in the building space, increasing Indoor Air Quality (IAQ).

CW3 delivers incredible variable load performance due to its inverter technology fan motor. During conditions where high loads are present in the space, CW3 provides full fan speed. When heat load is low in the space, the CW3 fan slows down and is able to provide an increased EER up to 68 with input power of only 300W. The CW3 contains an on-board sophisticated control system that ensures peak efficiency during all operating conditions.

The CW3 generates over 3 tons of cooling supplying 3,000 cfm several degrees below ambient wet-bulb. Since it never draws more than 1.75kW, it slashes peak demand and annual energy consumption by over 75%.

New Micro-Core™ counter-flow heat exchanger



The Micro-Core™ indirect-direct configuration ensures maximum cooling with minimum added humidity for optimal comfort.

How it works

- ① Hot air enters the cooler
- ② Hot air passes through the Micro-Core™
- ③ Warm, moist air exhausted outside
- ④ Fresh, cool outside air passes into the building

A wide range of applications

Designed to meet the cooling and fresh air requirements of buildings across many sectors, particularly where there is constant access or a high density of customers or occupants, spaces constantly open to outdoors or where doors are frequently opening and closing.

CW3 also delivers optimal cooling performance in specialized applications including:

- Deliver 100% fresh, filtered, cool air to provide a healthy environment in classrooms, doctor offices, hospitals and assisted living facilities.
- Exhaust make-up air applications such as commercial kitchens, food preparation and laundries
- Spot cooling above work stations to cool equipment or workers in processing, manufacturing, assembly areas, counter areas or warehouse environments boosting staff productivity and well-being as well as customer comfort.

MagIQtouch® wired controller (Additional cost)

- Touch screen, wall mounted controller wired to your building
- Easy operating process due to in-built Installation Wizard
- Each cooler comes supplied with 65.6ft wiring assembly
- Option to extend this up to a maximum length of 131.2ft
- Operate up to 60 coolers (total loom length must be 1,640.4ft from a single MagIQtouch controller, using optional Link Module and wiring assembly - no special controllers required)



MagIQtouch® BMS Industrial Controllers MS1 & M1

Optional with CW3

MS1

- Optional 12Vdc power supply
- 65ft communication cable
- Operate up to 60 coolers using link modules

M1

- Optional 24Vdc power supply
- 65ft communication cable
- 1 M1 controller per cooler



Accessories

Optional with CW3

External Air Sensor

Intuitively optimizes water and energy usage based on outside ambient conditions and displays current outside temperature.

Sensing module automatically drains the water tank when temperature nears freezing.

Internal Air Sensor

A remote temperature and humidity sensing module. Enables the MagIQtouch® Controller to be mounted in a convenient location (e.g. control room or living area), while still sensing air from the conditioned space.



Supply air temperature

Location	Design condition	CW3 Leaving Air Temp (°F)	Stand Alone Cooling Capacity (Tons)	Standalone Cooling Capacity (BTU/h)	EER
Arid	108°F DB / 70°F WB	70	2.8	33,600	19.8
Temperate	99°F DB / 66°F WB	66	4.0	48,000	28.2
Continental	88°F DB / 68°F WB	68	3.4	40,800	24.0
Sub-Tropical	88°F DB / 73°F WB	73	2.0	24,000	14.1

*Seeley International's calculations from performance data logged in NATA accredited testing facility, compared to refrigerated (standard efficiency AC) systems performing the same duty and publicly sourced running cost figures. ^Compared to standard efficiency systems performing the same duty. Dependent on final system design for individual applications. We recommend consultation with a Seeley International Sales Engineer to establish the most appropriate product selection.

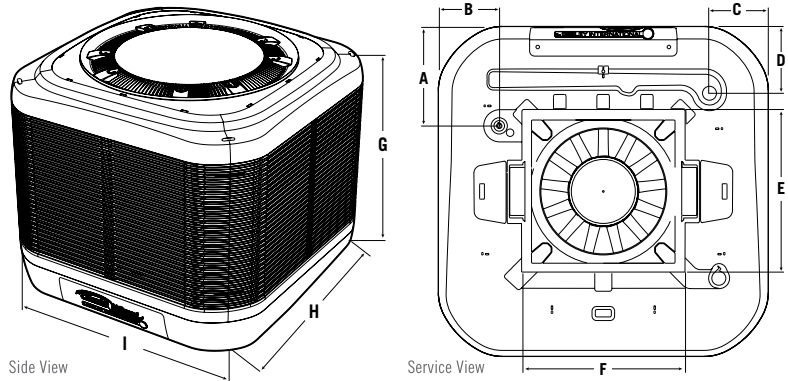


Technical Specifications

CW3		
Operation	Voltage/Phases/Hz	220-240 / 1 / 50/60
	Power	1,700W
	Current Draw	7.0A
	Cooling Capacity*	40,900 BTU/hr
	Airflow @ 0.40 in w.g	3,000 CFM
Fans	Fan Type	Supply: Axial Exhaust: Centrifugal-Backward Curved
	Motor Type	Inverter driven variable speed
	Motor Output	Supply: 750W Exhaust: 950W
	Motor Overload Protection	One shot fuse
Pumps	Type	Centrifugal (Vertical)
	Motor	2 Pole Synchronous
	Power – rated	25W
	Flow Rate	21L/min
	Voltage / Phases / Hz	220-240VAC / 1PH / 50/60Hz
Heat Exchanger Cores	Overload	One shot
	Enclosure Rating	IPX4
Water	Climate Wizard Patented 2-Stage Heat Exchanger Cores	Indirect: x8 Direct: x8
	Water Supply	5.3 GPM @ 15 PSI - 115 PSI
	Water Drain	Water Drain Connection 1½" BSP
Filtration	Tank Capacity	8 Gal
	Air Filters	8x MERV 8 Washable 14" x 25" x 1"
Shipping	Dimensions	46 ¼" (L) x 46 ¼" (W) 40" (H)
	Weight	460 lb
Installation	Connected Duct	21" x 21"
	Weight	Operating – 530 lb

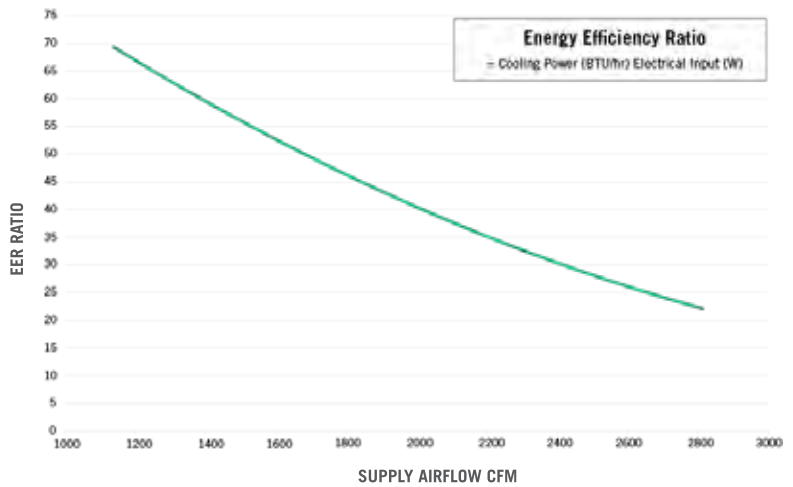
Note: specifications subject to change. *Tested in accordance with ASHRAE 143 conditions of 38.0 °C db / 21.0 °C wb.n accordance with Australian Standard AS2913. **Testing was performed by NATA accredited Meridian Test Laboratory, to the requirements of the Australian Standard AS2913-2000 at 38.0 deg C Dry Bulb Temperature and 21 deg C Wet Bulb Temperature. Supply airflow was varied by changing supply fan speed from maximum to minimum. Supply backpressure was 150 Pa at maximum airflow and de-rated accordingly with airflow.

Cabinet details



Model	A	B	C	D	E	F	G	H	I
CW3 (inches)	13.6 Inlet	8.3 Inlet	8.0 Drain	9.0 Drain	22.4 Suits 20.9" dropper	22.2 Suits 20.9" dropper	40	45 ½	45 ½

Energy Efficiency Ratio (EER) ^

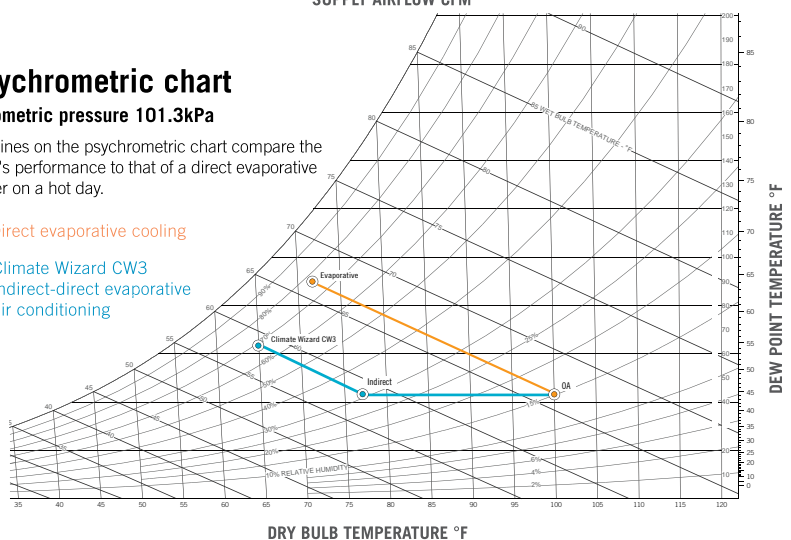


Psychrometric chart

Barometric pressure 101.3kPa

The lines on the psychrometric chart compare the CW3's performance to that of a direct evaporative cooler on a hot day.

- Direct evaporative cooling
- Climate Wizard CW3 indirect-direct evaporative air conditioning



Buildings Technology Innovation of the Year:
Heating and Cooling



FS 744827

We provide full technical support to ensure optimal performance for each application

Seeley International Americas
1002 S 56th Avenue, Suite #101 Phoenix AZ 85043 | Ph:602 353 8066
4430 Glencoe Street, Denver CO 80216 | Ph:303 375 0878
seeleyinternational.com

For more information email ussales@seeleyinternational.com

