

Breezair
By SEELEY INTERNATIONAL 

EXVQ SERIES

RESIDENTIAL POWERHOUSE



**THE WORLD'S COOLEST, QUIETEST AND MOST
ENERGY EFFICIENT EVAPORATIVE COOLER**



Introducing the advanced
MAGI@TOUCH
Next generation smart controller

THE BREEZAIR EXVQ SERIES: VARIABLE SPEED

THE INTELLIGENT CHOICE

KEEPING COOL HAS NEVER BEEN EASIER

The Breezair EXVQ is the powerhouse of evaporative coolers and offers the extraordinary performance you need for cooling spacious living areas. Breezair features a range of benefits exclusive to Seeley International – while delivering 100% fresh, cool, outside air at much lower costs than refrigerated cooling methods.

THE ONLY CABINET WITH A 25-YEAR WARRANTY!

- Injection molded
- High-strength structural polymer
- UV resistant and non-rusting

EXCLUSIVE ONE-PIECE AERODYNAMIC FAN

- Molded one-piece polypropylene centrifugal fan
- Square stainless steel shaft to prevent fan slippage
- Pre-lubricated and sealed bearings (no oil needed)
- Cools more efficiently
- Operates quietly
- Motor lasts longer
- Costs less to operate

SEEELECTRIC™ VARIABLE-SPEED MOTOR

- Double-coated with rust inhibitors
- Low energy use
- Heavy duty to last longer
- Low maintenance requirements

TORNADO® WATER PUMP

- Impact start
- Fully encapsulated motor windings
- Thermal overload protectors
- Top and bottom ball bearings
- Pumps in ½" water

CONTROL POWER MODULE

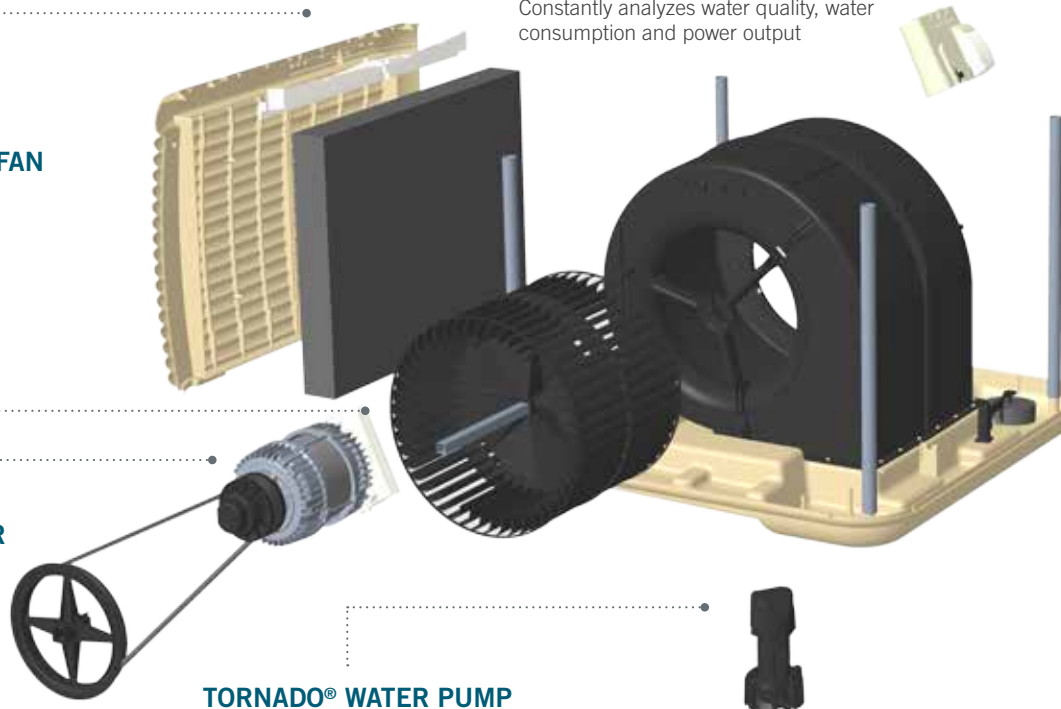
Advanced electronic controls ensure that the EXVQ operates at optimum efficiency at all times

INTEGRATED DIAGNOSTICS MODULE

Automatically monitors cooler operations and provides self diagnostics

MICROPROCESSOR

Constantly analyzes water quality, water consumption and power output



MAGIQTOUCH® (Additional Cost)

TOUCH SCREEN TECHNOLOGY

Smart, sophisticated and incredibly intuitive, your MagIQtouch® controller makes operating your Breezair, a breeze. Control the temperature, fan speed and many more features on a user friendly touch screen. Discreet and modern design will blend seamlessly into the décor of your home.



MAGIQTOUCH®
wired controller

Touch screen, wall mounted controller wired to your home



MAGIQTOUCH®
wireless controller
(Radio Frequency)

Use the latest in Radio Frequency (RF) channel hopping technology with no need for wiring



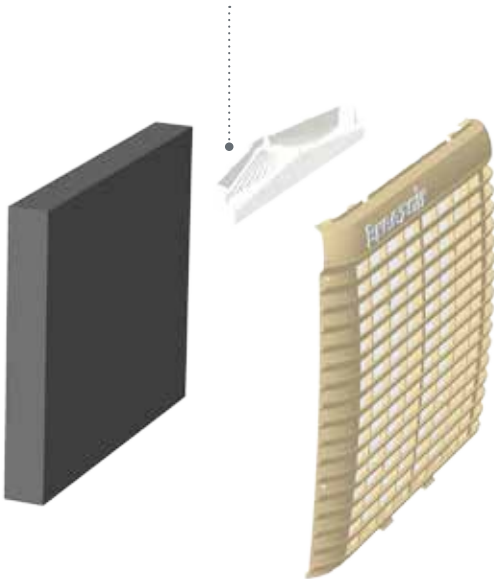


BREEZAIR GUARANTEE

For complete peace of mind, Breezair backs every one of its air conditioning systems with an industry leading comprehensive guarantee program. Refer to your owner's manual for all service and guarantee terms and conditions.

NON-CLOGGING WATER DISTRIBUTION SYSTEM

- Unique water flow distributor (patented worldwide by Breezair)
- Fully balanced and continuous water distribution to all Chillcel™ cooling pads
- Maintains perfect pad saturation, maximizing cooling efficiency



FLEXIBLE COOLING

If you need to cool small areas within a large space, then spot cooling is an effective option. It offers an envelope of cool, high velocity air that can be directed to a specific area, irrespective of the surrounding conditions.

BREAKTHROUGH BLACK OPAL™ MINI-CELL CHILLCEL® PAD TECHNOLOGY

- The only evaporative cooling medium of its kind. Fully manufactured in Australia. It's an **absolute out-performer!**
- Exclusive small cell design provides cutting-edge cooling capacity.
- Maintains our global leading Mini-Cell Chillcel® pad technology, which increases surface area of the pads by 25%, dramatically multiplying cooling capacity and efficiency - **BEYOND BELIEF!**
- **BLACK OPAL™ MINI-CELL CHILLCEL® pads** deliver transformational aesthetics to your home enabling the unit to blend seamlessly into its surroundings.

BREEZAIR SALINITY MANAGER

AUTOMATIC DRAIN SYSTEM

- Prevents algae, dirt build-up and odors
- Cooler sump stays clean and dry when not in use
- Reduces maintenance to unit



WATERMANAGER™ SYSTEM

- Uses the minimum amount of water to achieve high efficiency cooling
- Water quality monitoring to maximise water savings
- Automatically replaces impure water with clean water



OPTIONAL EXTRAS MAGIQTOUCH® AIR SENSORS



Internal Air Sensor

A remote temperature and humidity sensing module.

Enables the MagIQtouch® Controller to be mounted in a convenient location (e.g. control room or living area), while still sensing air from the conditioned space.

External Air Sensor

Intuitively optimizes water and energy usage based on outside ambient conditions and displays current outside temperature.

Sensing module automatically drains the water tank when temperature nears freezing.

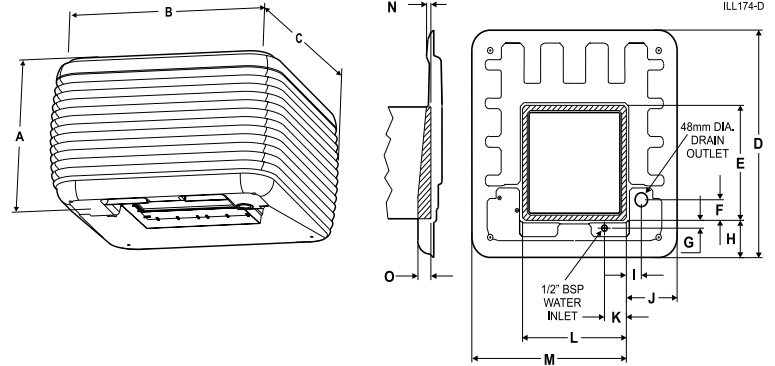
COOLER CONNECTIVITY

Operate multiple coolers from a single MagIQtouch® controller, using optional link module and wiring loom – no special controllers required!

For all connectivity options, please refer to the installation manual.

Specification		EXVQ 155	EXVQ 275
Airflow	Industry standard (CFM)	5,500	7,500
Cooling Capacity*	0.3 IWG (BTU/hr)	25,930	40,000
Power Consumption (total)	Power Max (W)	920	1290
	Current - Rated (A)	7.8	11.1
Power Supply	Voltage / Phases / Hz	115 / 1 / 60	115 / 1 / 60
Controller	Type	Digital	Digital
Fan	Type	Centrifugal	Centrifugal
	Diameter (inches)	15 x 15	18 1/8 x 15
Motor	Type	PSC	PSC
	Shaft Speed Max (RPM)	1,510	1,450
	Output Max (W)	550	750
	Overload & Fuse	Auto reset & 'one shot' fuse	Auto reset & 'one shot' fuse
Enclosure Rating		IP2X	IP2X
	Type	Centrifugal	Centrifugal
Motor		Synchronous	Synchronous
	Power - Rated (W)	80	80
Flow rate (gal / min)		4.4	4.4
	Voltage / Phases / Hz	115 / 1 / 60	115 / 1 / 60
Overload		Thermal One Shot	Thermal One Shot
	Enclosure Rating	IPX4	IPX4
Cooling pad Chillcel™	Size (inches)	31 1/2 x 17 1/4 (H) x 3 1/2 (4 pads)	31 1/2 x 25 (H) x 3 1/2 (4 pads)
	Pad area (feet²)	15	22
Water	Tank capacity (gal)	2.9	2.9
	Inlet (inches)	1/2" male BSP	1/2" male BSP
Shipping	Dimensions (inches) including pallet	45 1/2 x 45 1/2 x 29 3/4 (H)	45 1/2 x 45 1/2 x 37 1/2 (H)
	Volume (feet³)	35.5	45.6
	Mass - Shipping (lbs)	172	183
	Mass - Operating (lbs)	188	199
Connecting Duct	Length x Width (inches)	21 1/8 x 21 1/8 (17 1/2 sq roof jack adapter included)	21 1/8 x 21 1/8 (19 sq roof jack adapter included)

Cooling capacity measured to Australian Standard AS2913-2000, ambient of 100.4°F dry bulb & 69.8°F wet bulb, with room exit temperature of 81.3°F



CABINET DETAILS

Model#	A	B	C	D	E	F	G	H	I	J	K	L	M	N	O
EXVQ 155	26	45 3/4	45 3/4	43 3/4	21 3/8	4 3/4	1 1/2	7 3/4	3 3/4	10 3/4	4 3/4	21 3/8	32 3/4	1 1/2	3 3/4
EXVQ 275	34	45 3/4	45 3/4	43 3/4	21 3/8	4 3/4	1 1/2	7 3/4	3 3/4	10 3/4	4 3/4	21 3/8	32 3/4	1 1/2	3 3/4

Note: All dimensions are in inches.

Typical installation

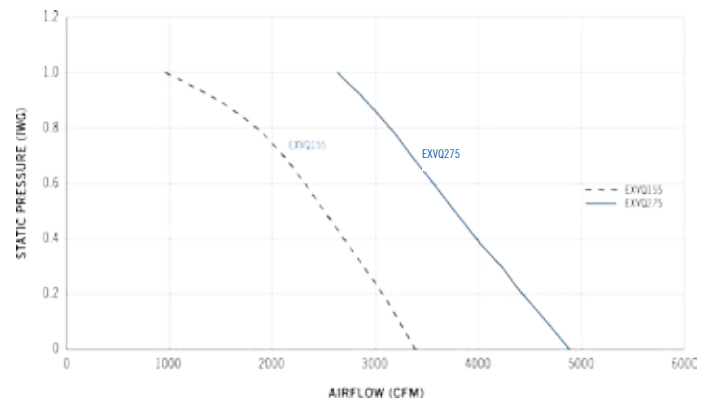
Drain outlet	1 1/2" BSP to 3/4" OD Reducer piece designed for push-on use with a flexible hose (3/4" ID) or solid PVC pipe (3/4" ID)
Water inlet	1/2" BSP to 3/8" Nom or 1/2" BSP to 1/4" compression adapter pieces
Electrical	1/2" Flexible conduit
Control kit (required)	Option 1: MagIQtouch® WIRED Wall Control KIT Part #094298 Option 2: MagIQtouch® WIRELESS Wall Control KIT Part #118376

Cooler Discharge Air Temperature Chart

Ambient Dry Bulb Temperature °F	Ambient Relative Humidity %								
	10	20	30	40	50	60	70	80	90
50	37	38	40	42	43	45	46	47	49
60	43	46	47	50	52	53	55	57	58
70	50	53	55	58	60	62	64	66	68
80	56	60	63	66	68	71	73	76	78
90	62	66	70	74	77	80	83	85	88
100	68	73	78	82	85	89	92	95	N/A
110	74	80	85	90	94	N/A	N/A	N/A	N/A
120	80	87	93	98	103	N/A	N/A	N/A	N/A
130	86	94	101	106	N/A	N/A	N/A	N/A	N/A

This chart represents approximate air temperatures based on 87% saturation efficiency at sea level from tests carried out to Australian Standard 2913.

FAN CURVE (CFM)



Model	Industry Standard CFM	Motor (W)	Air Flow - Cubic feet/min (CFM) vs. Inch water gauge (IWG)						
			0.0	0.1	0.2	0.3	0.4	0.5	0.6
EXVQ155	5,500	550	3,390	3,230	3,070	2,880	2,690	2,500	2,310
EXVQ275	7,500	750	4,890	4,664	4,430	4,220	3,980	3,770	3,560

www.seeleyinternational.com



Seeley International Americas
1002 S. 56th Avenue, Suite #101, Phoenix, AZ 85043 | 602.353.8066
4430 Glencoe Street, Denver, CO 80216 | 303.375.0878
ussales@seeleyinternational.com



Information in this brochure was correct at the time of preparation. E & OE

