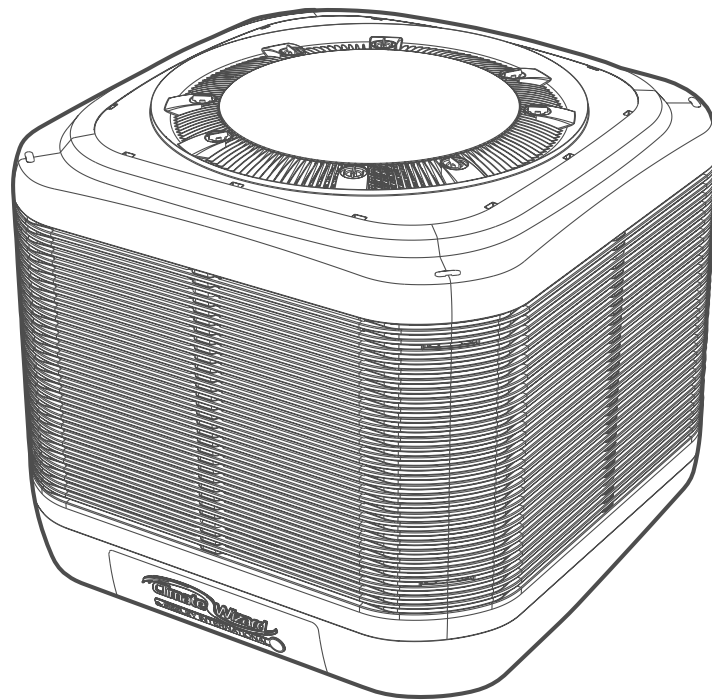




INSTALLATION & OPERATION MANUAL

CW3 MICROCORE INDIRECT EVAPORATIVE COOLER



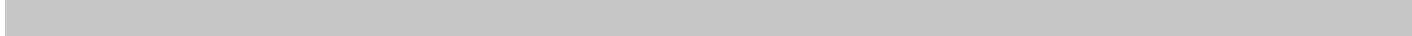


TABLE OF CONTENTS

IMPORTANT SAFETY INSTRUCTIONS	2	COMMISSIONING	21
COOLER VIEWS	3	INSTALLATION CHECKLIST	21
EXPLODED VIEW	4	MAGIQTOUCH SERVICE MENU	22
COOLER CONTENTS	6	WATER MANAGEMENT SYSTEM CHECKS	22
COOLER INSTALLATION COMPONENTS	6	FAN CHECKS	22
OPTIONAL COMPONENTS	6	COOLING CORE FLUSH	22
COOLER CONTROLS	6	CUSTOMER HANDOVER CHECKLIST	22
TRANSPORT	7	ADJUSTING COOLER SETTINGS	23
MOVING THE COOLER	7	FAULT CODE DESCRIPTIONS	24
LIFTING THE COOLER	7	TROUBLESHOOTING	25
UNPACKING THE COOLER	7	MAINTENANCE SCHEDULE	26
INSTALLATION	8	MAINTENANCE FREQUENCY	26
ASSESSMENT OF ROOF STRUCTURE	8	WINTER OPERATION AND SHUTDOWN	26
COOLER LOCATION	8	MAINTENANCE CHECKLIST	27
ACCESS FOR SERVICING AND MAINTENANCE	8	APPENDIX A: GENERIC ROOF MOUNTING	30
MOUNTING / SUPPORT	9	GENERAL NOTES	30
SUPPLY AIR DUCT PREPARATION	9	TIMBER TRUSS - 600MM SPACING	32
PREPARING THE TRANSITION	9	TIMBER TRUSS - 1200MM SPACING	33
PITCHED ROOF INSTALLATION	10	STEEL TRUSS - 600MM SPACING	34
LEVELLING THE SUPPLY DUCT	10	STEEL TRUSS - 1200MM SPACING	35
FLASHING THE SUPPLY DUCT	11	CONVENTIONAL ROOF FRAMING	36
WEATHERSEAL ASSEMBLY	11	APPENDIX B: 'PIECE BY PIECE' INSTALLATION	38
COMMUNICATION CABLE PREPARATION	12	WARRANTY TERMS (AUSTRALIA)	46
POWER CABLE PREPARATION	12	WARRANTY TERMS (USA)	50
COOLER METHOD OF INSTALLATION	13		
PREPARING TO LIFT THE COOLER	13		
LIFTING THE COOLER	13		
COMMUNICATION CABLE INSTALLATION	15		
ELECTRICAL REQUIREMENTS	16		
ELECTRICAL SUPPLY INSTALLATION	16		
MOTOR LOCKED-ROTOR PROTECTION	16		
ELECTRICAL POWER CABLE	16		
CONTROL MODULE WIRING DIAGRAM	16		
WATER REQUIREMENTS	17		
WATER SUPPLY INSTALLATION	17		
WATER INLET SOLENOID VALVE	17		
WATER SUPPLY PRESSURE REGULATION	17		
WATER SUPPLY ISOLATION	17		
WATER SUPPLY FILTRATION	17		
WATER HAMMER	17		
WATER DRAIN INSTALLATION	18		
COOLER CONTROL COMPONENTS	19		
WATER MANAGEMENT SYSTEM	19		
COOLER CONTROL OPTIONS	20		
MAGIQTOUCH CONTROLS	20		
GROUP INSTALLATIONS	20		

WARNING! FAILURE TO INSTALL AND COMMISSION THE PRODUCT IN COMPLIANCE WITH THESE INSTRUCTIONS, OR FAILURE TO DO THE JOB PROPERLY AND COMPETENTLY, MAY VOID THE CUSTOMER'S WARRANTY. FURTHER, IT COULD EXPOSE THE INSTALLER AND/OR THE RETAILER TO SERIOUS LIABILITY.

IMPORTANT SAFETY INSTRUCTIONS

READ AND SAVE THESE INSTRUCTIONS FOR FUTURE REFERENCE.

Means for all pole disconnection must be incorporated in the fixed wiring in accordance with the wiring rules.

If the supply cord is damaged, it must be replaced by the manufacturer, its service agent or similarly qualified persons in order to avoid a hazard.

The following specifications for the cooler water supply are required:

Min Water Pressure 100kPa (15psi)

Max Water Pressure 800kPa (115psi)

New hose sets supplied with the appliance are to be used and old hose-sets should not be re-used.

To fix the cooler to its support:-

- screw the transition to the supply duct
- level the supply duct and screw to roof
- fit 4 x T-washers into the transition
- place cooler onto the transition and secure with the 12 x 12G screws supplied

Refer to installation section for details

WARNING - TO REDUCE THE RISK OF FIRE, ELECTRIC SHOCK, OR INJURY TO PERSONS, OBSERVE THE FOLLOWING:

- Installation work and electrical wiring must be done by qualified person(s) in accordance with all applicable codes and standards, including fire-rated construction.
- When cutting or drilling into wall or ceiling, do not damage electrical wiring and other hidden utilities.
- Ducted fans must always be vented to the outdoors
- Do Not Use This Fan With Any Solid-State Speed Control Device.

FOR AUSTRALIAN BUSHFIRE PRONE AREAS

WARNING If an evaporative cooler is installed in a BAL-12.5 to 29 area the evaporative cooler dropper duct and flashings shall be adequately sealed at the roof to prevent gaps greater than 3mm. The dropper duct and flashings shall be non-combustible.

WARNING: This cooler is NOT APPROVED for installation in any bushfire zoned area/property (BAL-12.5 to BAL-FZ).

EMPLOYER AND EMPLOYEE RESPONSIBILITIES

The installation and maintenance of evaporative coolers at height has the potential to create Occupational Health and Safety issues for those involved. Installers are advised to ensure they are familiar with the relevant State and Federal legislation, such as Acts, Regulations, approved Codes of Practice and Australian Standards, which offer practical guidance on these health and safety issues. Compliance with these regulations will require appropriate work practices, equipment, training and qualifications of workers.

Seeley International provides the following information as a guide to contractors and employees to assist in minimising risk whilst working at height.

INSTALLER AND MAINTENANCE CONTRACTORS - RISK ASSESSMENT

A risk assessment of all hazardous tasks is required under legislation. A risk assessment is an essential element that should be conducted before the commencement of work, to identify and eliminate the risk of falls or to minimise these risks by implementing control measures. There is no need for this to be a complicated process, it just is a matter of looking at the job to be done and considering what action(s) are necessary so the person doing the job does not injure themselves.

This should be considered in terms of:

- What are the chances of an incident happening?
- What could the possible consequence be?
- What can you do to reduce, or better still, completely get rid of the risk?

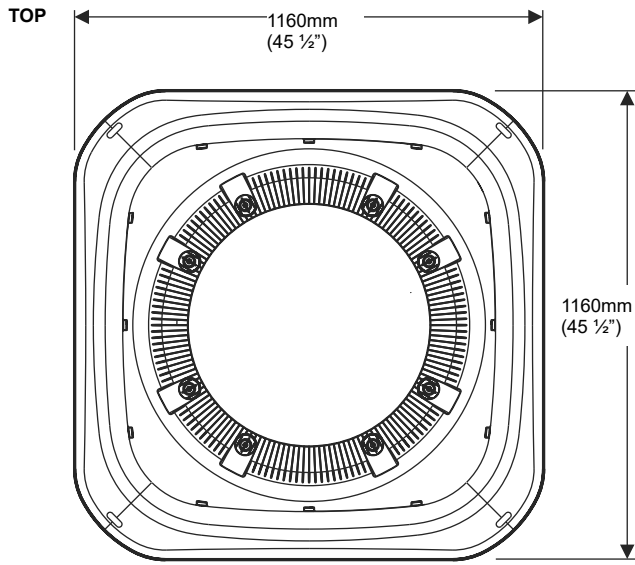
SOME POINTS TO CONSIDER

- What is the best and safest access to the roof and working areas?
- If a worker is alone, who knows they are there and if they get into difficulty, how can they summon help? (Call someone on the ground? Mobile phone? etc.)
- What condition is the roof in? Should the trusses, underside or surface be checked?
- Does the worker have appropriate foot wear? (Flat sole jogger type is advisable.)
- Are all power cables / extension leads appropriately rated?
- Are all ladders, tools and equipment suitable in good condition?
- Where ladders are to be used, is there a firm, stable base for them to stand on? Can they be tied or secured in some way at the top? Is the top of the ladder clear of electricity supply cables?
- Is there a roof anchor to attach a harness and lanyard to? If so, instruction should be issued for the use of an approved harness or only suitably trained people used.
- Are all tools and materials being used, prevented from slipping and falling onto a person at ground level? Is the area below the work area suitably protected to prevent persons walking in this area?
- Does the work schedule take into account weather conditions, allowing for work to be suspended in high winds, thunder storms/lightning or other types of weather giving wet, slippery surfaces?
- Is there an on-going safety check system of harnesses, ropes, ladders and access/lifting equipment and where they exist on roofs, anchor points before the commencement of work?
- Is there a system which prevents employees from working on roofs if they are unwell or under the influence of drugs or alcohol?
- Are there any special conditions to consider i.e. excessive roof pitch, limited ground area, fragile roof, electrical power lines?

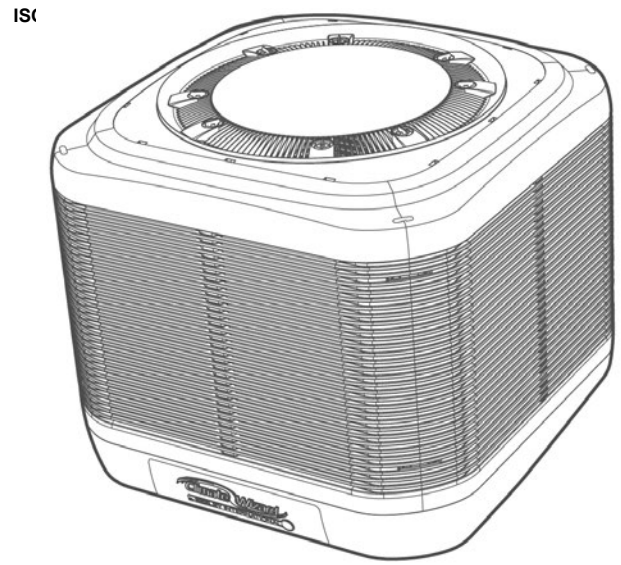
OTHER IMPORTANT REQUIREMENTS

- Never force parts to fit because all parts are designed to fit together easily without undue force.
- Never drill holes in the tank of the cooler.
- Check the proposed cooler location, to ensure that it is structurally capable of supporting the weight of the cooler, or provide an adequate alternate load bearing structure.
- Ensure the installation complies with all local and national regulations with regards to electrical, plumbing and bushfire construction requirements.

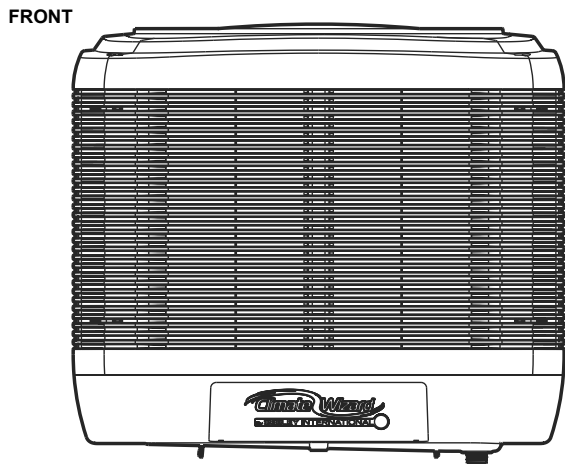
COOLER VIEWS



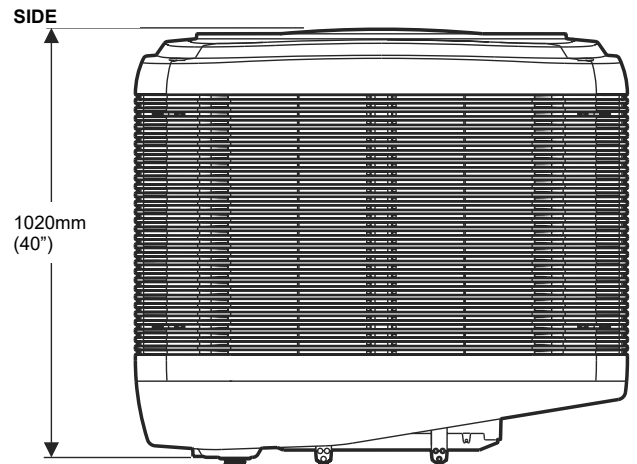
ILL2677-A



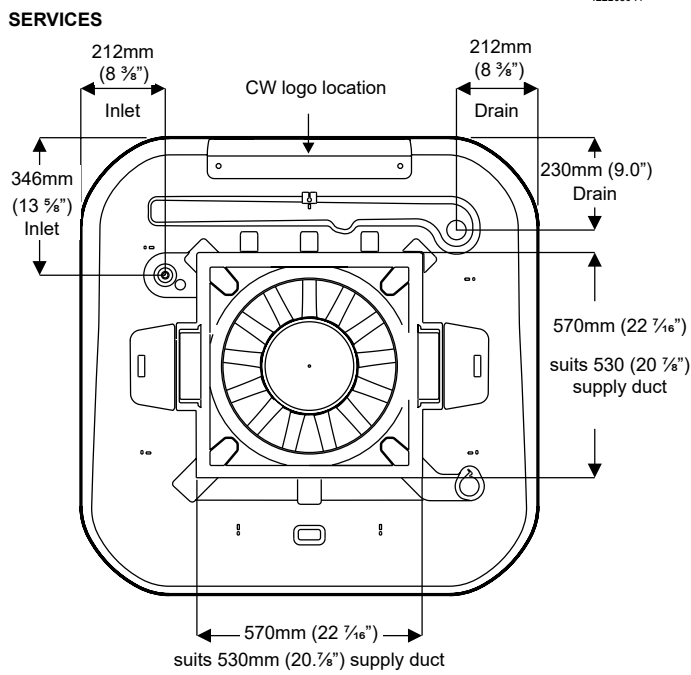
ILL2675-A



ILL2680-A



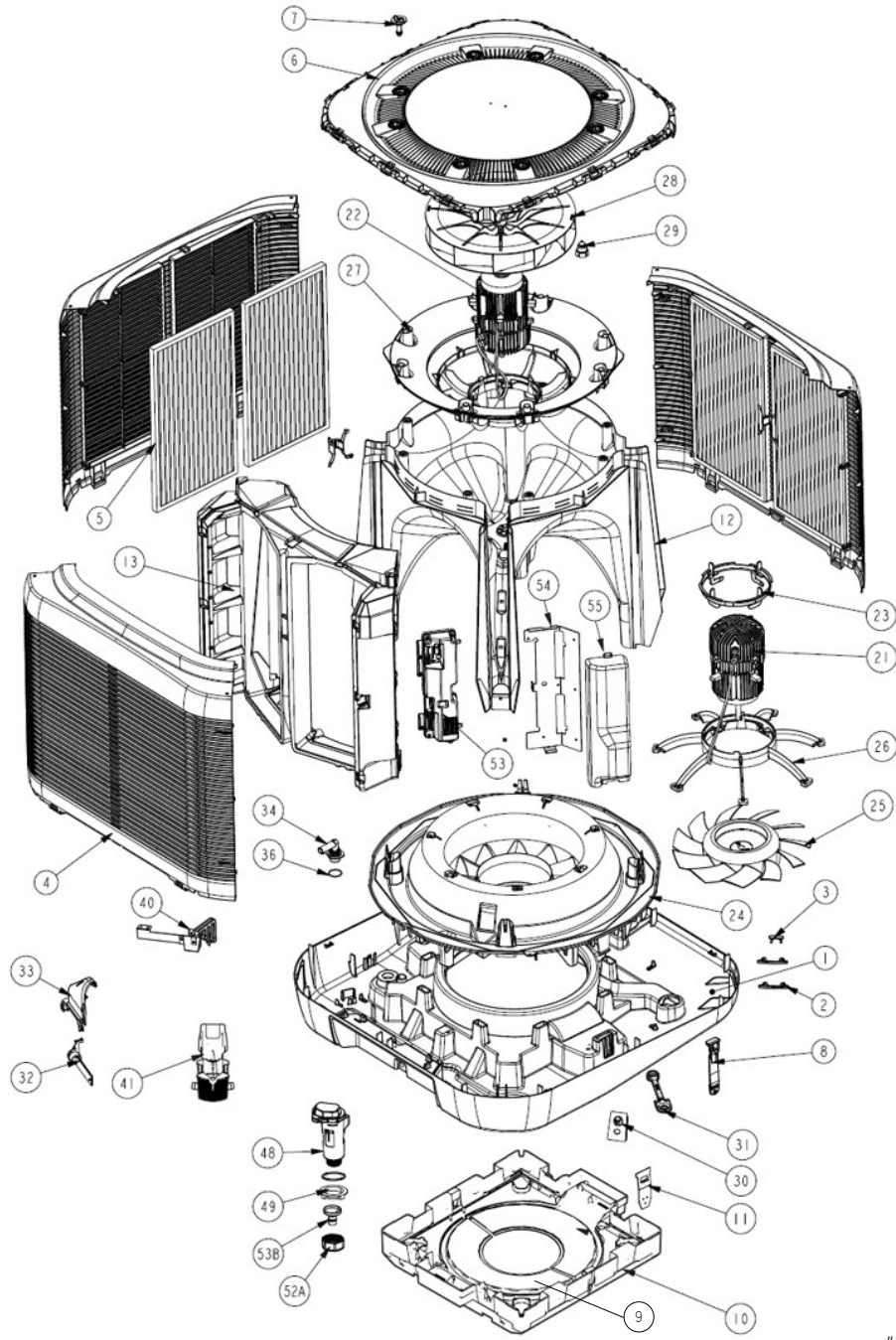
ILL2679-A



ILL2678-A

Dimensions are in mm (inches in brackets).

EXPLODED VIEW

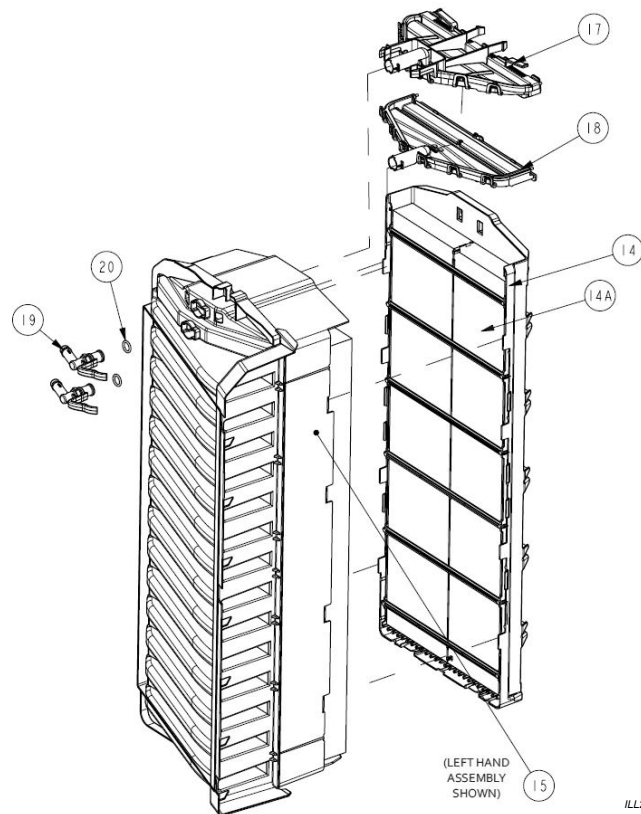


ILL2982-B

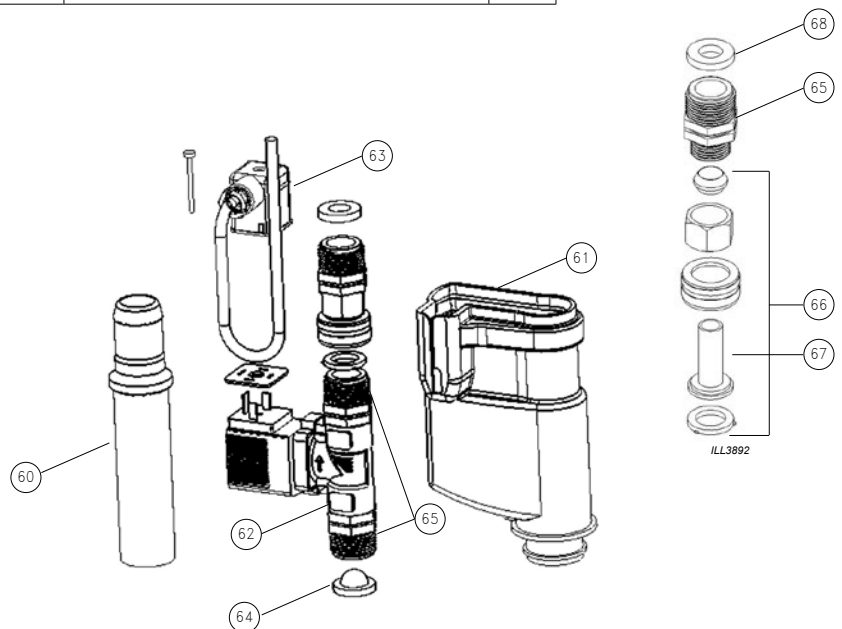
ITEM	PART NO.	DESCRIPTION	QTY
1	562162	TANK	1
2	562391	CLIP PANEL SIDE	8
3	562438	CLIP PANEL TOP	4
4	562179	PANEL SIDE	4
5	855879	FILTER CARTRIDGE 25"x14"x1"	8
6	562063	LID GRILLE EXHAUST	1
7	562223	LID SCREW GRILLE	8
8	849317	STRAP TRANSITION	4
9	562322RP	SUPPLY DRAUGHT FLAP & WEIGHT (PAIR)	1
10	122328	DROPPER TRANSITION ASSY	1
11	639381	T-WASHER	4
12	114905	PLENUM INNER	1
13	834660	PLENUM OUTER	4
21	122175RP	MOTOR ASSY 1PH INVERTER DRIVE	1
22	122182RP	MOTOR ASSY 1PH INVERTER DRIVE	1
23	562308	RING MOTOR LOCK	2
24	562046	VENTURI SUPPLY	1
25	562094	FAN SUPPLY	1
26	562186	MOUNT MOTOR SUPPLY	1
27	562056	VENTURI EXHAUST	1

INDEX	PART NO.	DESCRIPTION	QTY
28	122342	FAN EXHAUST	1
29	562476	CAP FAN EXHAUST	1
30	863832	PLUG VENTURI	1
31	863665	STRAPS RETENTION MANIFOLD	16
32	091426	CHLORINATOR LARGE ASSY	1
33	560294	COVER CHLORINATOR MOUNT	1
34	935874	FITTING ELBOW AIR-BREAK	1
36	804415L	O-RING BS128 38ID*2.6 N70	1
40	094823	PROBE WATER 3PIN 1.76M	1
41	639392	BRACKET PROBE	1
41	122472	PUMP 230/50 TWIN OUTLET 50Hz	2
41	118314RP	PUMP 230/60 TWIN OUTLET 60Hz	2
48	122311RP	DRAIN VALVE ASSY 12V MFG	1
49	535405	^NUT 1.5" BSP	1
52A	861593	NUT PIPE FITTING 1.5" BSP	1
53A	593104	ADAPTOR DRAIN 32-20MM	1
53	117928RP	CONTROL ASSY	1
54	862758	ELECTRONICS MOUNT PLATE	1
55	862757	ELECTRONICS SPLASH COVER	1

EXPLODED VIEW



INDEX	PART NO.	DESCRIPTION	QTY
14, 15, 17, 18	122199RP	ENCAPSULATION INDIRECT & DIRECT RIGHT	4
14, 15, 17, 18	122205RP	ENCAPSULATION INDIRECT & DIRECT LEFT	4
14A	120904P65	CHILLCEL 263*665*35	8
19	562124	SPREADER ELBOW CLIP	16
20	863208	O RING BS112	16



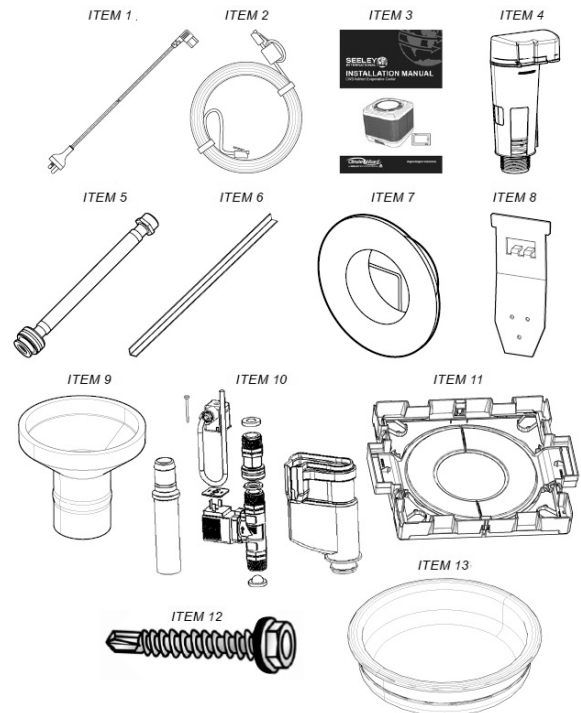
INDEX	PART NO.	DESCRIPTION	QTY
60	862761	TUBE SOLENOID	1
61	863760	COVER SOLENOID	1
62	859713	SOLENOID VALVE SS 12VDC	1
63	865615	LEAD ASSY 2C SOLEN 2.220M JST	1
64	815979	FILTER WASHER 19mm 3/4" SS	1
65	861586	ADAPTOR 3/4-1/2" BSP	3
66	816074	COMPRESSION OLIVE KIT	1
67	813264	BRASS TUBE	1
68	815978	WASHER RUBBER	1

COOLER CONTENTS

COOLER INSTALLATION COMPONENTS

The cooler will be accompanied by a packout kit box containing control items and other components that are required for installation.

ITEM	PART NO.	DESCRIPTION	QTY
1	856162	Power Cable 4m (12')	1
2	833880	Control Cable 20m (65")	1
3	859741	Instructions - Installation	1
4	122311RP	Drain Valve Assy 12V	1
5	850764	Flexible Water Inlet Hose	1
6	864471	Supply Duct Height Gauge	1
7	583020	Grommet for Dropper	1
8	639381	T-Washer	4
9	101713	Adapter Drain Fitting Assembly	1
10	123097	Kit Solenoid Valve & Covers	1
11	122328	Supply Duct Transition Assembly	1
12	875392	Supply Duct TEK Screw Fasteners Screw TEK, Hex, 12G, 30-35mm x 14TPI,	20
13	560359	Tank Plug	1

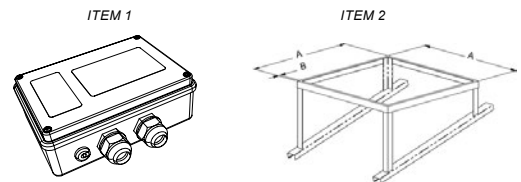


ILL3813-A

OPTIONAL COMPONENTS

The cooler installation can be optioned with the following items.

ITEM	PART NO.	DESCRIPTION
1	094946	Heat/Cool Duct Switch (Australia Only)
2A	134192	Roofstand 0-10°
2B	122489	Kit Add On CW3/CW-6S For Roof Stand 134192



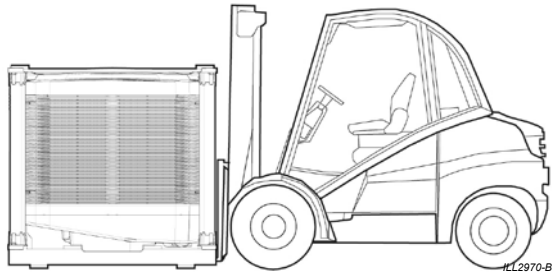
COOLER CONTROLS

This cooler is compatible with a wide range of MagIQtouch control solutions, including Wall Controllers, Building Management System (BMS) Controllers and Sensor Accessories. Contact your local Sales office for compatible kits and installation literature.

TRANSPORT

MOVING THE COOLER

The cooler can be moved either by fork-truck or pallet-truck whilst it is resting on its dedicated pallet. Do not drag or lift the cooler unless it is on its dedicated pallet.



LIFTING THE COOLER

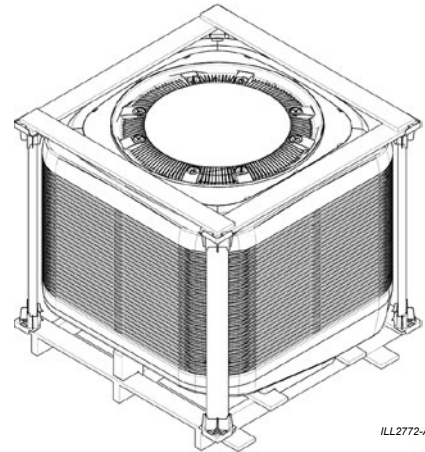
The cooler may be lifted by a crane with slings through the cooler pallet. It is recommended to use a spreader bar. Protect the upper edges of the cooler with a corner protector beneath the lifting straps to avoid any damage to the cabinet during the lift.

Do not attempt to lift using any cabinet features or by retrofitting lifting lugs. The cabinet may be damaged and/or lift safety compromised.

UNPACKING THE COOLER

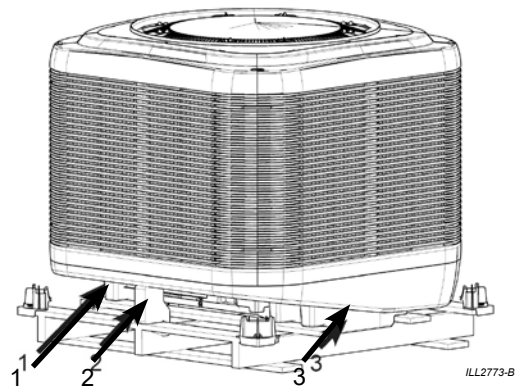
The cooler will be delivered on a dedicated pallet and will be wrapped in plastic film with timber and foam supporting members.

The cooler will be accompanied by a packout kit box containing control items and other components that are required for installation.



To correctly unpackage the cooler, follow the instructions below:

1. Inspect for transport damage prior to unpacking.
2. Remove the plastic film, polystyrene foam packing blocks and pallet strapping. Dispose of responsibly.
3. Remove the top horizontal timber support members and vertical timber support members. Dispose of responsibly.
4. Leave the base pallet and foam supporting blocks in position in 3 places, as shown. These are required for lifting.



EQUIPMENT RECEIPT

Inspect the cooler for any damage caused in transit. Any such damage must be immediately reported to the shipper of the goods.

The unit has been factory tested to check for correct operation of all components. If any part is missing or damaged, notify the supplier immediately.

INSTALLATION

ASSESSMENT OF ROOF STRUCTURE

THE COOLER REQUIRES AN ADEQUATE ROOF STRUCTURE TO BEAR THE LOAD OF ITS OPERATING WEIGHT. IT IS LIKELY THAT MOST RESIDENTIAL STRUCTURES WILL REQUIRE REINFORCEMENT.

Engineering designs of roofs, including the supporting structure and cladding, should take into account whether the work practices necessary to carry out the installation and maintenance on the roof can be carried out safely.

	Shipping Weight	Operating Weight
CW3	175 kg (385 lb)	210 kg (465 lb)

It is the installers responsibility to verify the integrity of the roof structure as well as determine and implement an adequate load bearing structure to which the dropper and cooler is fixed. The roof structure in question must be in good condition (i.e. no worn members or pre-existing damage) and compliant with one of the structurally engineered roof mounting schemes provided (Refer to Appendix A):

If these generic schemes are not applicable to the customer installation, it is the installer's responsibility to seek the services of a structural engineer or certified builder to ensure that the installation is adequate and complies with local and national building codes. Installation on inadequate structures will void the warranty and could result in death or serious injury. If the installer has any doubt in regards to the structural integrity or condition of the customer installation, then a structural engineer or building certifier must be consulted.

COOLER LOCATION

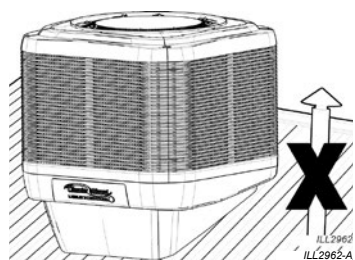
The ideal location for the cooler is in a central position on the roof (away from sleeping areas and where people spend most of their time) so that the duct runs are of approximately the same length. Carefully consider neighbouring residences and noise levels when locating the cooler, if necessary talk to the customer and the neighbour before carrying out the installation.

Always locate the cooler where it will receive adequate fresh air and not in a recess where it may be starved for air or where the air is polluted.

Air exiting the cooler exhaust is warm and heavily laden with moisture. Ensure the cooler's exhaust air will not cause corrosion or damage to other nearby items. Do not allow exhaust air to re-circulate into the air intake of the cooler.

Ensure location is a minimum of:

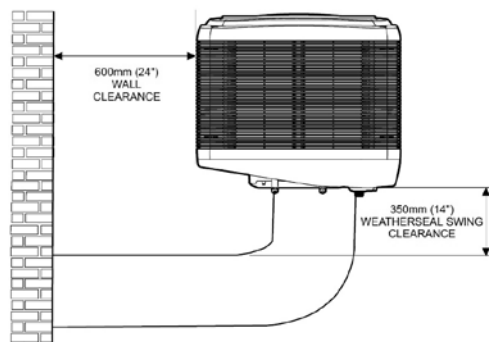
- 3m (10') from a solid fuel heater flue,
- 1.5m (5') from a gas flue,
- 1.0m (3.5') away from adjacent solar panels or similar roof mounted fixtures,
- 6m (20') from a sewer vent, and
- 600mm (2') from a wall.



- The cooler must be mounted at least 3m (10') (preferably 5m (17')) away from any TV antenna or antenna cables. Make sure the cooler is not between the antenna and the transmission tower that is providing the television signal to the home.

For side discharge installations, ensure the following clearances;

- 600mm (24") to wall.
- 350mm (14") to top of elbow.



ILL3815-A

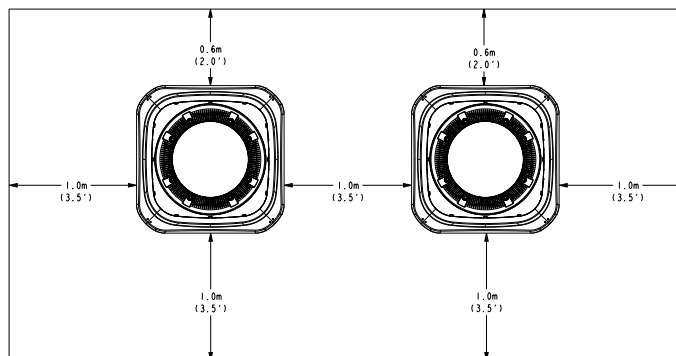
ACCESS FOR SERVICING AND MAINTENANCE

The cooler should be installed in a position that allows adequate access for installation and future maintenance and servicing activities. This should comply with installation guidelines and any local, State and National regulations.

Consider the following for installation location:-

- Which has clear access to and around the cooler
- Which is clear of fixtures in line with below clearances
- Which is clear of fall edges (> 3m (10') away)
- Which is structurally capable of supporting the weight of the cooler and service technicians

Required clearances around and between coolers for future maintenance and servicing are shown below.



ILL3978

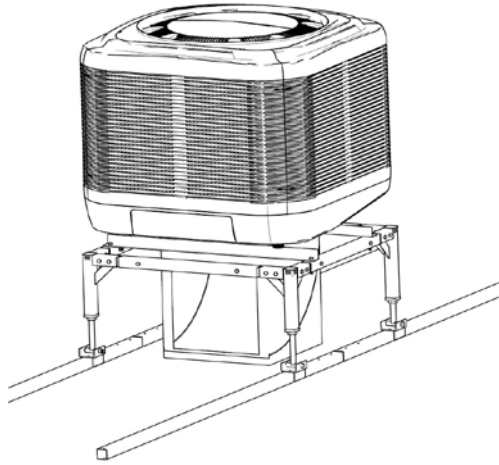
Extra service or warranty charges may apply for the cost of any equipment or additional labour involved in accessing the cooler if these guidelines are not met.

Note! Do you need to discuss the installation of items like safety anchor points with the customer?

INSTALLATION

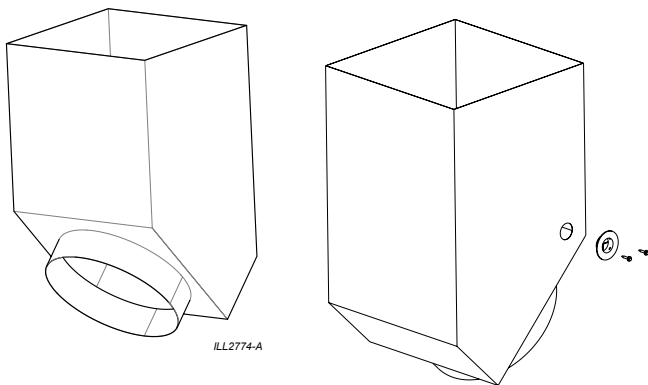
MOUNTING / SUPPORT

Roofstands, accommodating 0-10 roof pitches, are available for order via Seeley International. See Optional Components List.



SUPPLY AIR DUCT PREPARATION

The cooler is designed to be mounted on a supply air duct with outside dimensions of 530 x 530mm (20 7/8" x 20 7/8") and 1.0mm (20 gauge) thick. The duct must have a raw edge or safe edge at the top. Do not fold in a flange as this may interfere with the transition and/or the weatherseal



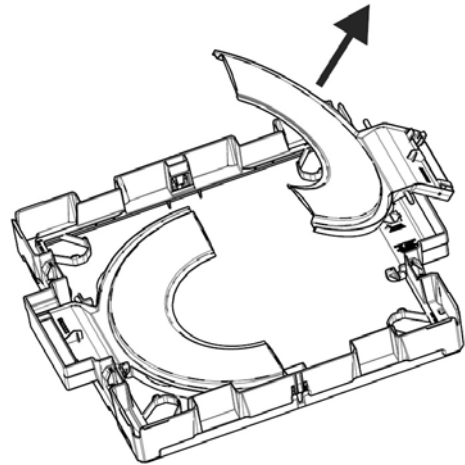
For installations which require the cooler power and communications cables to pass down the inside of the supply duct, cut a 50mm (2") diameter cable exit hole in the side of the duct.

Fit the rubber cable grommet supplied in the installation kit to protect the cables from the raw cut edge.

Locate the hole below the roof line and so the cables will not interfere with the operation of the weatherseal.

PREPARING THE TRANSITION

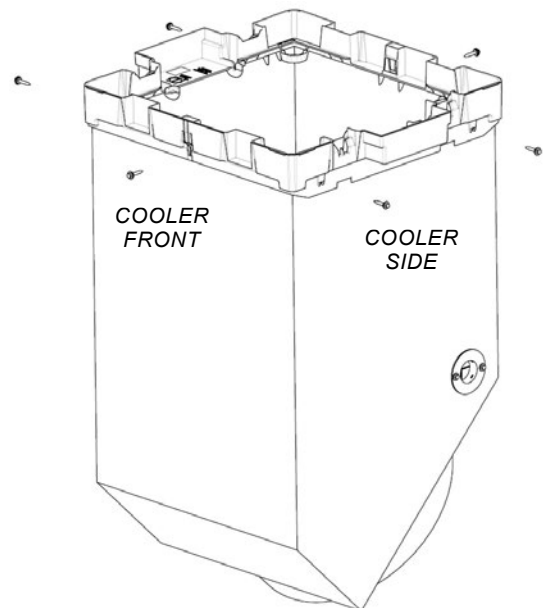
Locate the supply duct transition assembly in installation kit. Temporarily remove both weatherseal flaps as shown.



ILL2775-A

Fit the transition onto the supply duct, ensuring that it is orientated correctly, as shown below.

Secure the transition to the supply duct using 6 (six) of the supplied fasteners. There are 2 pilot holes on each side and a single hole on the front and rear (centre) of the transition.

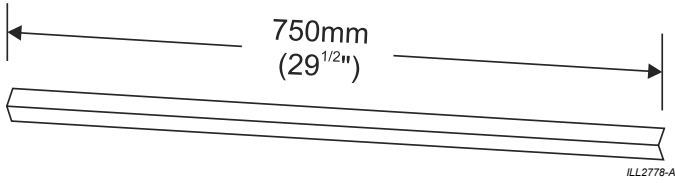


ILL2776-A

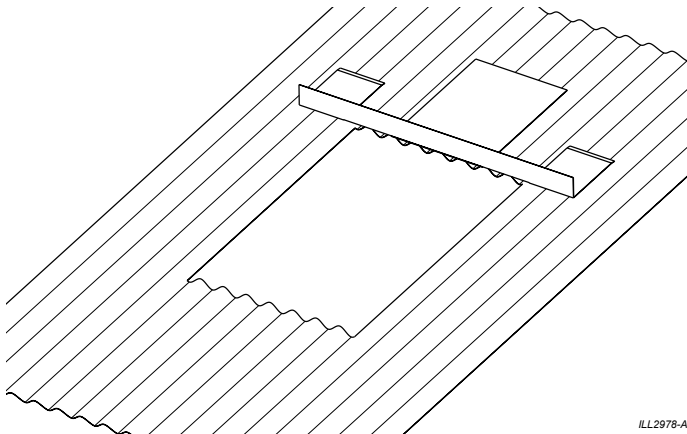
INSTALLATION

PITCHED ROOF INSTALLATION

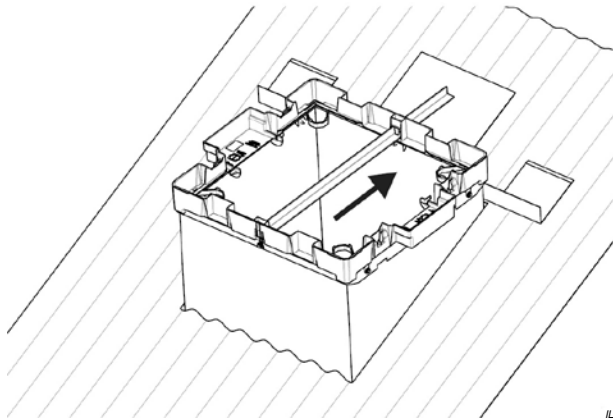
The installation kit includes a length of equal angle which is used to accurately set the height of the supply duct above the roof penetration.



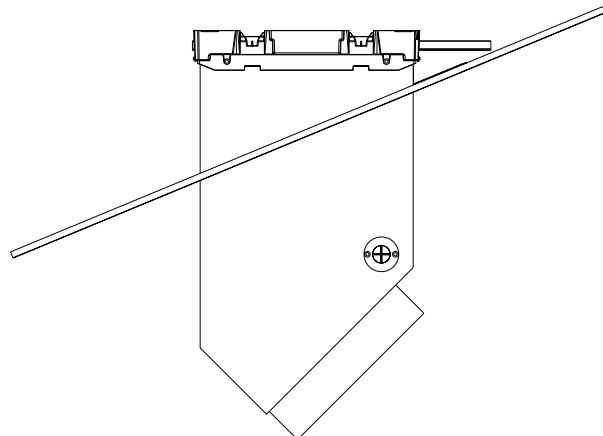
The following method of height-setting is only applicable for roof angles between 15 and 30 degrees. Install back-flashing into the supply duct roof opening. Place a sheet of cardboard onto the rear of the roof opening as shown to protect the roof.



Insert the equal angle into the keyed opening and feed through until it sits flush against the opposite side of the transition as shown.



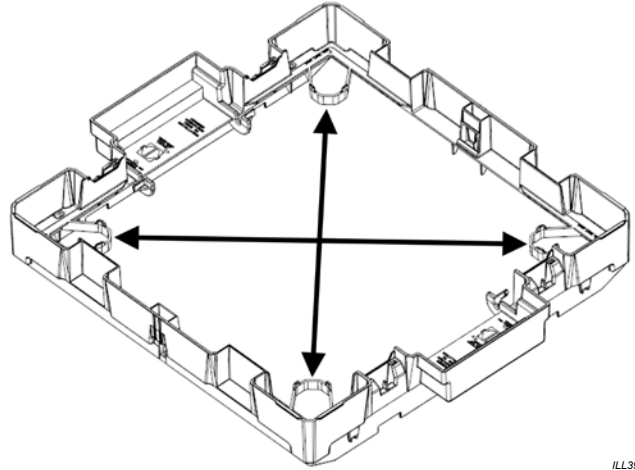
Lower the supply duct into the opening in the orientation shown. Adjust the position of the supply duct such that the equal angle rests on the high side of the roof. Remove the equal angle after use.



LEVELLING THE SUPPLY DUCT

IT IS IMPORTANT THAT THE COOLER IS LEVEL IN ALL DIRECTIONS. COOLERS WHICH ARE NOT LEVEL MAY CAUSE REDUCED WATER PUMP FLOW RATES AND/OR INCREASED DRAIN WATER OVERFLOW.

Level the supply duct in both directions with a spirit level placed across the provided corner supports.



Once level, secure the supply duct to the roof structure **using roofing screws**. These are not provided.

DO NOT USE THE PROVIDED TEK SCREWS – THESE ARE FOR LATER USE ELSEWHERE.

Insert 5x fasteners per side to be spaced at 100mm intervals in the centre of the timber support members. Refer to Appendix A.

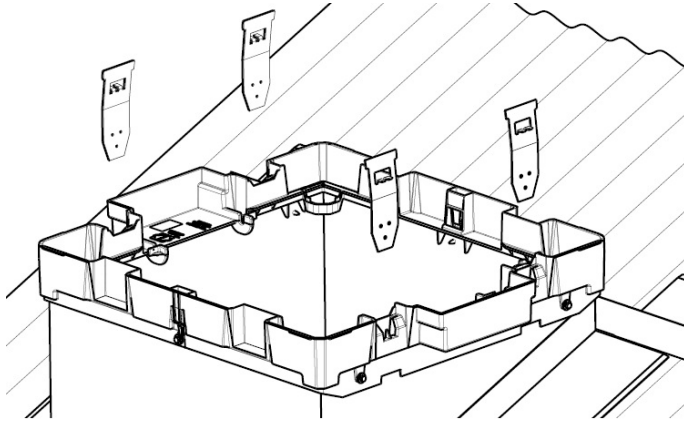
The installer must ensure the dropper is secured adequately for wind conditions at the site. Additional restraints may be required if the cooler is more than 200mm (8") higher than the roof timbers, or design wind velocity at the site exceeds 43m/s (141fps).

In very high wind areas or areas subject to hurricanes/ windstorms, or where the cooler is located more than 8m (26') above the ground, seek advice from a structural engineer.

INSTALLATION

T-WASHER FITMENT

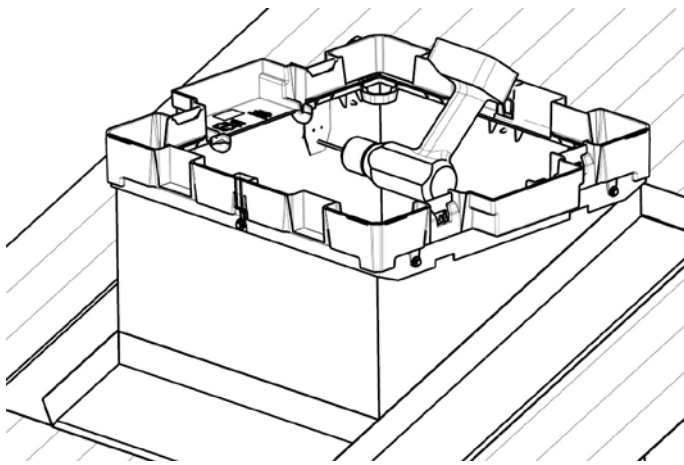
The installation kit includes the four (4) T-Washers. Push them down into the transition piece as shown. The T-Washers should be facing outwards and will be sitting inside the supply duct.



ILL2782-A

Using each T-Washer as a guide, drill three (3) 8.0mm (1/4") pilot holes through the supply duct. **This must be completed before fitting the cooler.**

DO NOT USE THE PROVIDED TEK SCREWS – THESE ARE FOR LATER USE ELSEWHERE.



ILL2783-A

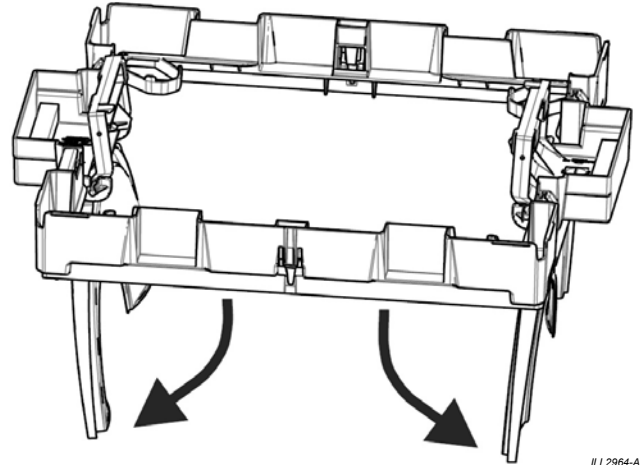
FLASHING THE SUPPLY DUCT

The supply duct may now be flashed to the roof. Make sure there is no chance of water entering the roof space.

WEATHERSEAL ASSEMBLY

Reinstall the weatherseals flaps as shown. Ensure they open all the way and do not interfere with the supply duct or any screws.

The flaps should move freely through 70° without interference.



ILL2964-A

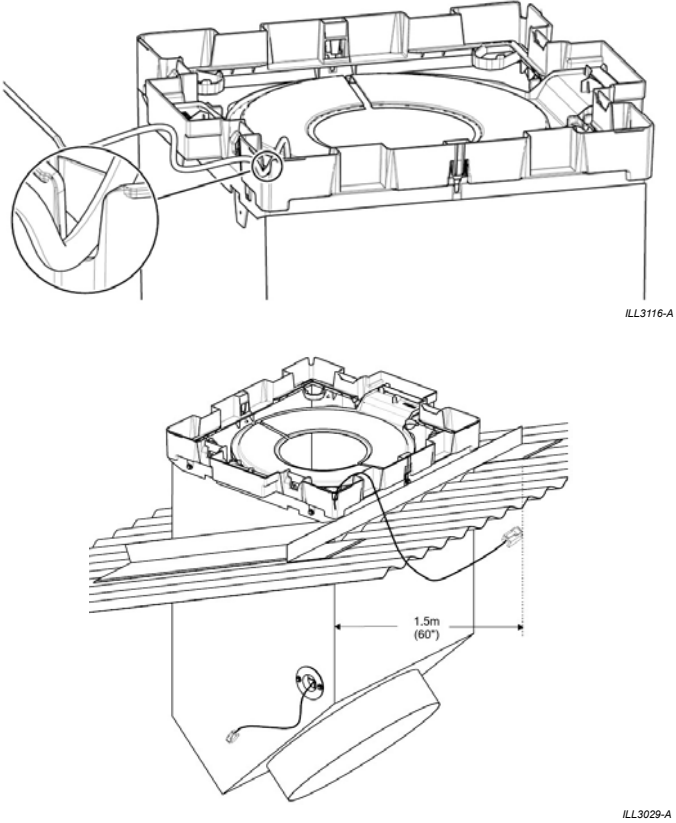
Important! There must be no obstructions to the weatherseal opening fully as it will adversely affect the performance of the cooler.

INSTALLATION

COMMUNICATION CABLE PREPARATION

The installation kit includes a Magiqtouch communication cable.

For installations which require the communications cable to pass down the inside of the supply duct, the cable must be routed through the transition corner recess prior to the cooler being mounted to the supply duct.



Pass the non-taped end of the control cable up into the supply duct, through the grommet. Pull the cable through and position it in the transition slot. Leave an excess length of the cable (1.5m or 60" each) hanging out of the supply duct.

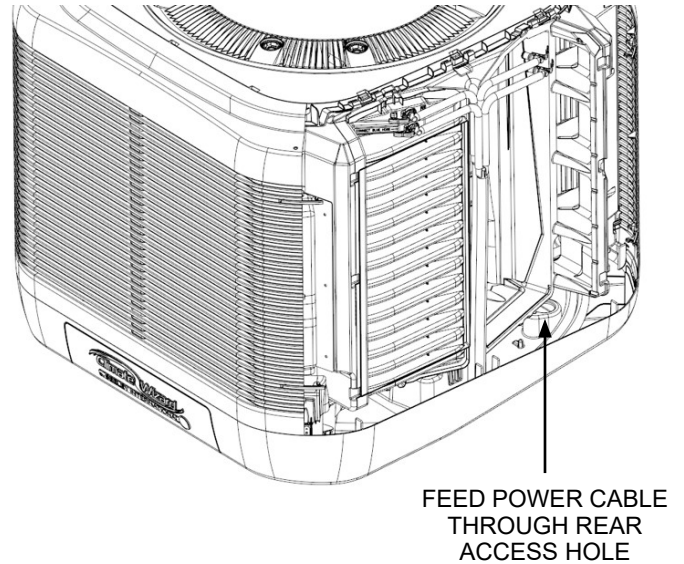
POWER CABLE PREPARATION

The cooler power cable is bundled inside the cooler.

For installations which require the power cable to pass down the inside of the supply duct, the free end needs to be located outside the cooler prior to lifting.

Remove the right hand side panel, locate the power cable inside the tank and push all of the free length through the rear access hole.

Tape the free length to the outside of the cooler ready for lifting.



INSTALLATION

COOLER METHOD OF INSTALLATION

There are two possible methods of installation for the cooler:

1. **Installation via crane (preferred)** – cooler is lifted from its pallet on the ground and slung onto the supply duct.
2. **Piece by piece assembly** – cooler is disassembled on the ground and reassembled on the supply duct.

The ideal method of installation will be specific to each assignment. To determine which method is best suited to your installation, be sure to consider regulations, location, access points, potential obstacles and safety.

Discuss the possible options with the customer.

PREPARING TO LIFT THE COOLER

IT IS THE RESPONSIBILITY OF THE RIGGER TO DETERMINE THE APPROPRIATE METHOD AND EQUIPMENT FOR LIFTING THE COOLER.

The cooler may be lifted by crane via slinging only. Slinging points have been provided. Slings must comply with National Standards.

DO NOT LIFT USING ANY CABINET FEATURES, ALTERNATE SLING LOCATIONS OR BY RETRO-FITTING LIFTING LUGS.

The cabinet may be damaged and/or lift safety may be compromised.

DO NOT ATTEMPT TO LIFT THE COOLER WITHOUT THE FOAM SUPPORTING BLOCKS.

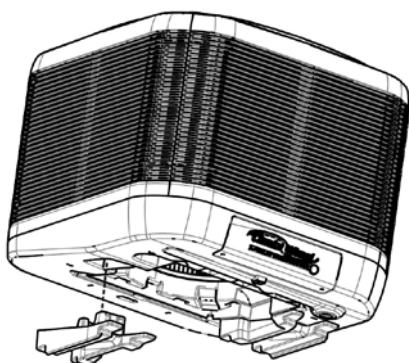
If they are missing or damaged, contact the dealer and/or resort to the 'piece-by-piece' method of installation.

DO NOT ATTEMPT TO LIFT THE COOLER ON THE PALLET.

It is not possible to fit the cooler to the supply duct if the pallet is used to sling the cooler.

Before the cooler is lifted:

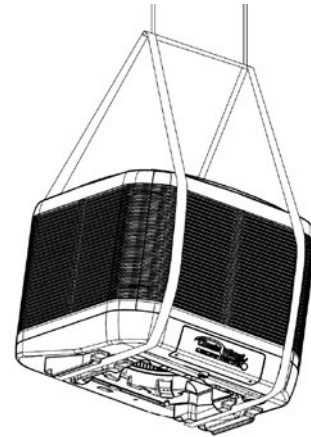
- Inspect the cooler to make sure it is in good condition. Ensure all exterior panels and clips are firmly in place. Contact the dealer if any exterior components appear to be structurally damaged.
- Ensure the power cable has been passed through the rear access hole and is taped to an exterior cooler panel.
- Ensure the foam support blocks and cooler have not moved from their dedicated positions in transit.
- Inspect the structural integrity of the foam support blocks to ensure they are in good condition. The foam supports to the tank for lifting and provides retention channels for slings.
- Make sure the foam support blocks are firmly inserted upwards into the female openings in the underbody of the tank.



ILL3026-A

LIFTING THE COOLER

Place the slings underneath the cooler and through the dedicated recess channel in the foam supporting blocks. Rocking, lifting and/or blocking up the front of the cooler will be required to pass slings beneath cooler while it sits on the pallet.

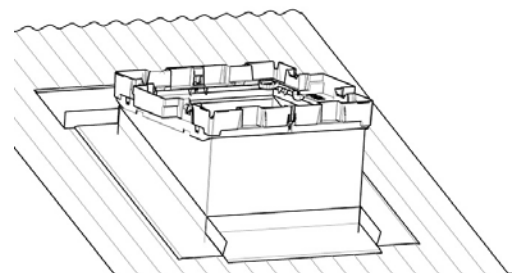
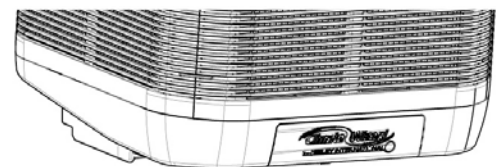


ILL3027-A

Important! Two people are required to guide the cooler onto the supply duct.

Lift and suspend the cooler approximately 100mm (4") above the transition.

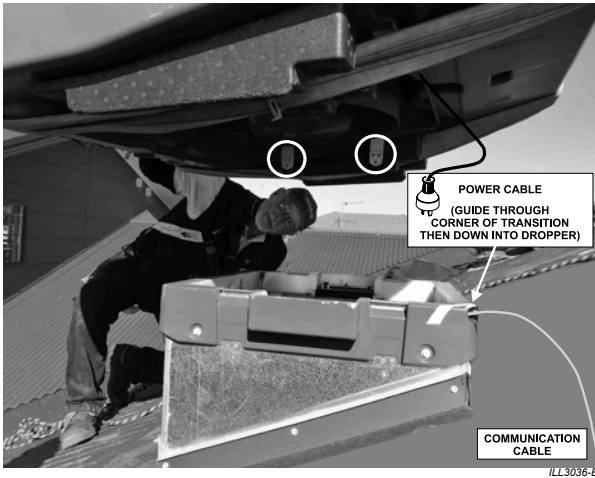
Check the orientation of the cooler to make sure it is in the correct position with the branding on the front of the cooler positioned at the front of the supply duct.



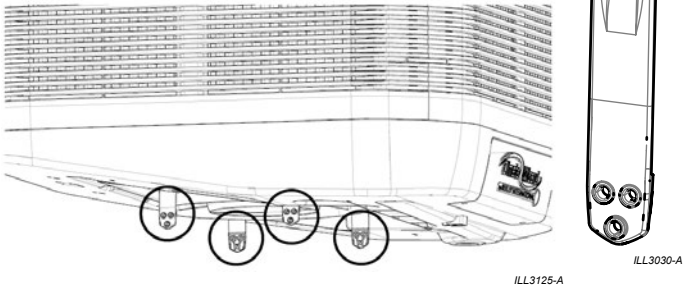
ILL3028-A

INSTALLATION

For installations which require the power cable to pass down the inside of the supply duct, guide the free end of the cable into the corner recess slot on the transition and down into the supply duct.



Identify the white dropper transition straps which protrude out from the tank. These straps are flared outwards and should fall outside the edges of the supply duct transition as the cooler is being lowered.



Once fitted correctly, the white dropper transition straps should align with the pre-drilled pilot holes in the supply duct. Some transition straps may need to be pulled down to meet with pilot holes in the supply duct.

WARNING! BE EXTREMELY CAREFUL NOT TO TRAP HANDS IN BETWEEN THE COOLER AND TRANSITION.

DO NOT POSITION ANY PART OF YOUR BODY UNDERNEATH THE COOLER WHILE IT IS SUSPENDED BY CRANE.

BE EXTREMELY CAREFUL NOT TO DAMAGE THE TRANSITION STRAPS, COMMUNICATION OR MAINS POWER CABLES.

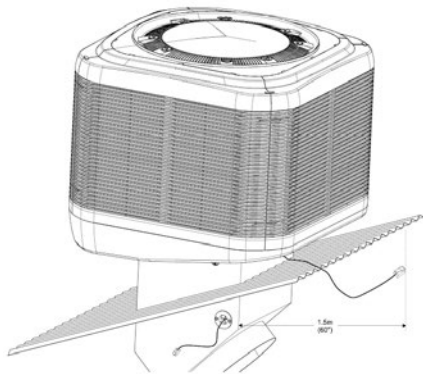


Secure the cooler to the transition using the screws provided. A total of twelve (12) screws are required. Only use the screws provided.

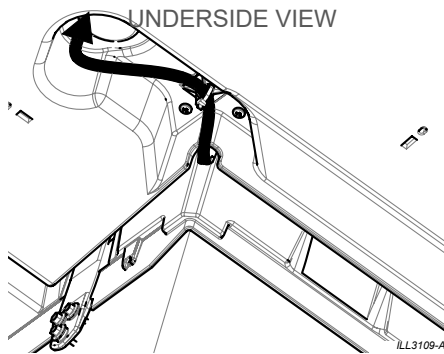
INSTALLATION

COMMUNICATION CABLE INSTALLATION

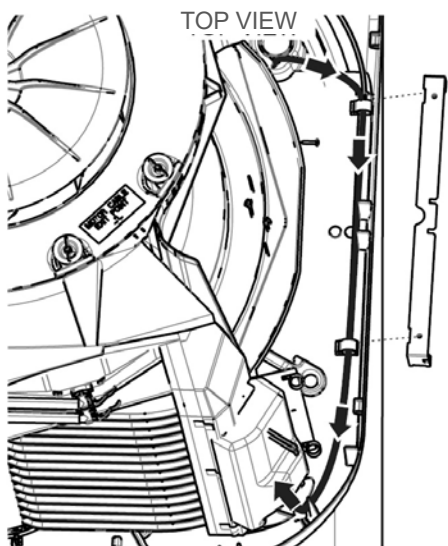
The communications cable should be hanging loose on the outside of the cooler.



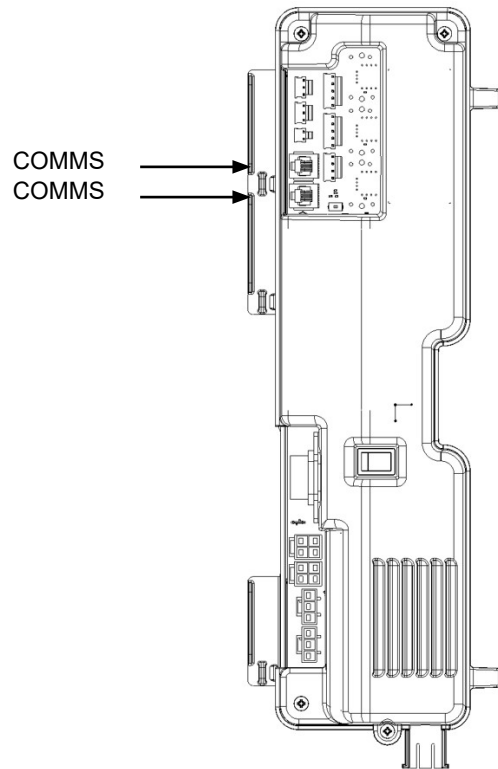
Feed the communication cable through the rear access hole in the underside of the tank.



Route the communication cable across the cable tray on the inner wall of the tank, and then up to the controls module.

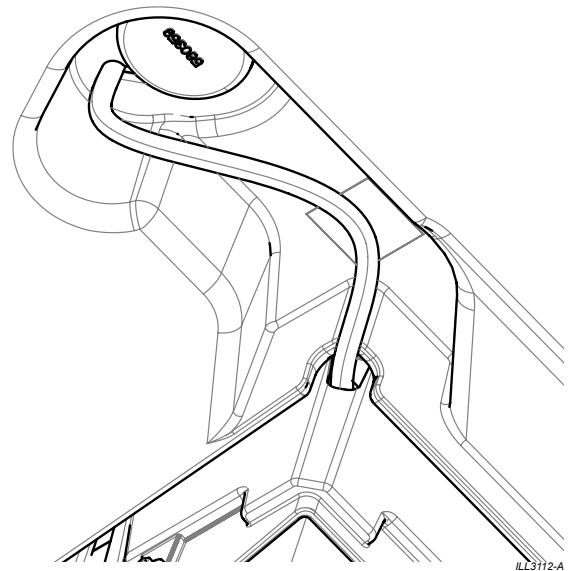


Plug the communications cable into either of the RJ12 sockets labelled "COMMS" on the main control board.



Pull all excess power and communication cables into the roof space. Secure them in the rear access hole slot and insert the plug provided to seal the hole.

UNDERSIDE VIEW



ELECTRICAL REQUIREMENTS

ELECTRICAL SUPPLY INSTALLATION

INSTALLATION OF THE COOLER MUST CONFORM TO LOCAL ELECTRICAL RULES, REGULATIONS AND STANDARDS.

It is a requirement of Seeley International that all coolers be wired with a dedicated circuit and circuit breaker/fuse at the distribution board.

A mains isolation switch, with all pole disconnection, shall be furnished by the contractor and installed adjacent to the cooler.

IMPORTANT! There are specific models for regional voltages and frequencies which are not interchangeable. Specifically, the pumps are unique to the voltage/frequency of supply.

See the cooler rating label for the correct electrical data. Before connecting the device, make sure the power supply matches the cooler voltage and frequency.

Electrical Supply Specification (IEC):

220-240V / 50Hz / 1~ / 7.0A

Electrical Supply Specification (USA):

220-240V / 60Hz / 1~ / 7A FLA / 15A MOPD

MOTOR LOCKED-ROTOR PROTECTION

Due to the built-in motor locked-rotor protection, the starting current (LRA) is equal to or less than the nominal current (FLA).

ELECTRICAL POWER CABLE

A power cable is provided with the cooler.

WARNING! If the power cable is damaged it must be replaced by the manufacturer, its service agent, or similarly qualified persons in order to avoid a hazard.

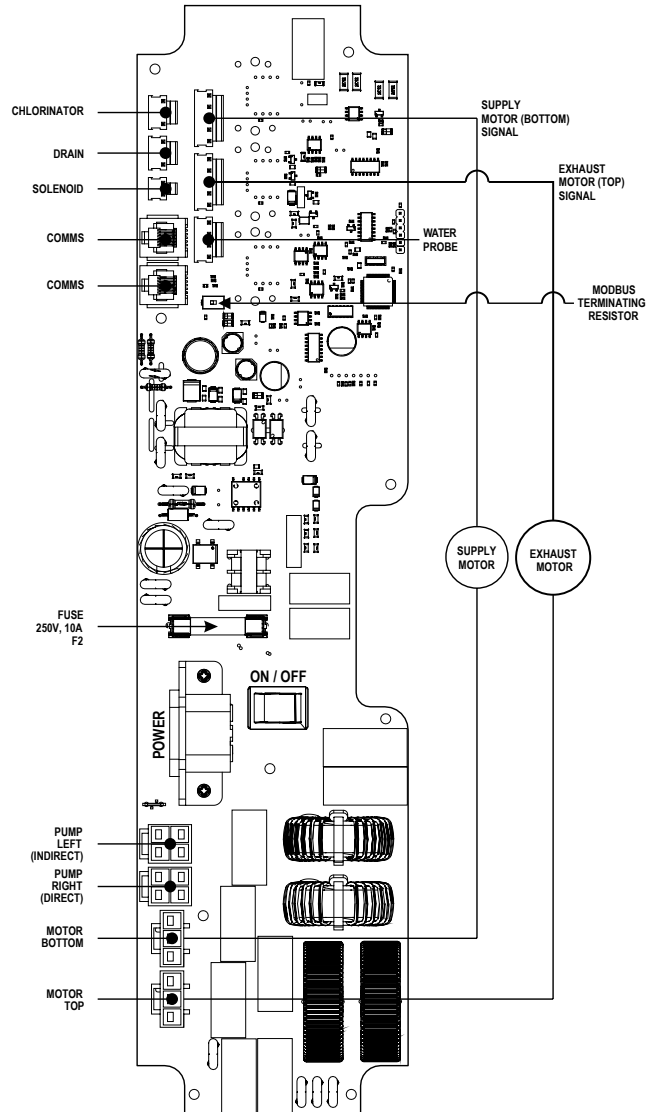
AUSTRALIA ONLY

A 10A GPO within one metre of the supply duct cable exit hole is required.

REST OF WORLD

Terminate the power cable in a junction box installed near the cooler (e.g. on the outside of the supply duct). Take care not to penetrate the duct near the weatherseal flaps.

CONTROL MODULE WIRING DIAGRAM

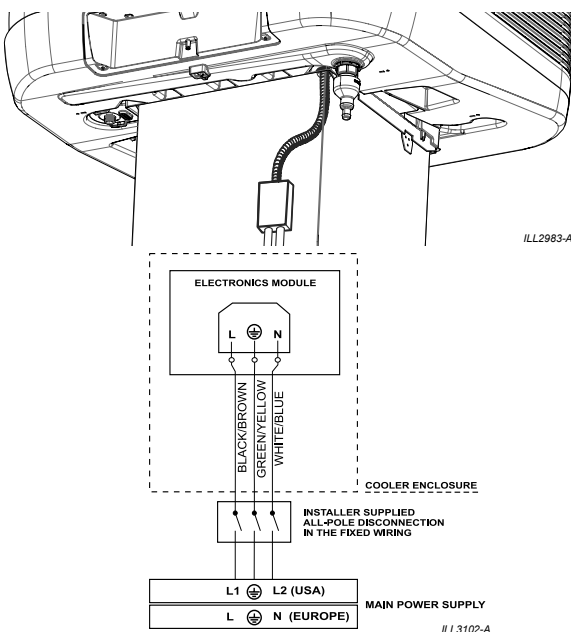


ILL2681-D

The electronics module is fitted with a replaceable 10A anti-surge fuse and an isolation switch that is toggled manually.

WARNING! Replacing the fuse exposes the operator to high voltage components. This operation may only be conducted by a qualified electrician. To replace the fuse: turn off the main isolator to the cooler, turn off the electronics isolation switch, remove the electronics cover and replace the fuse.

Important! Ensure the mains cable is not submerged or touching the water in the tank at any point along the cable length. Make use of the cable restraints. Cable tie to existing looms if necessary.



WATER REQUIREMENTS

WATER SUPPLY INSTALLATION

The cooler requires a permanent water supply to be connected. An Inlet Solenoid Valve, controlled by the water management system, allows water into the cooler when required.

INSTALLATION OF THE WATER SUPPLY MUST CONFORM TO LOCAL PLUMBING RULES, REGULATIONS AND STANDARDS.

The following specifications for water supply are required:

Water Connections:

½" BSP. Use the supplied flexible hose for the final connection to assist with future maintenance.

Water Supply:

100kPa (15psi) - 800 kPa (115psi)
10L/min (2.6 gal/min) MINIMUM
20L/min (5.3 gal/min) RECOMMENDED

Water Supply Temperature:

40°C (105°F) MAXIMUM

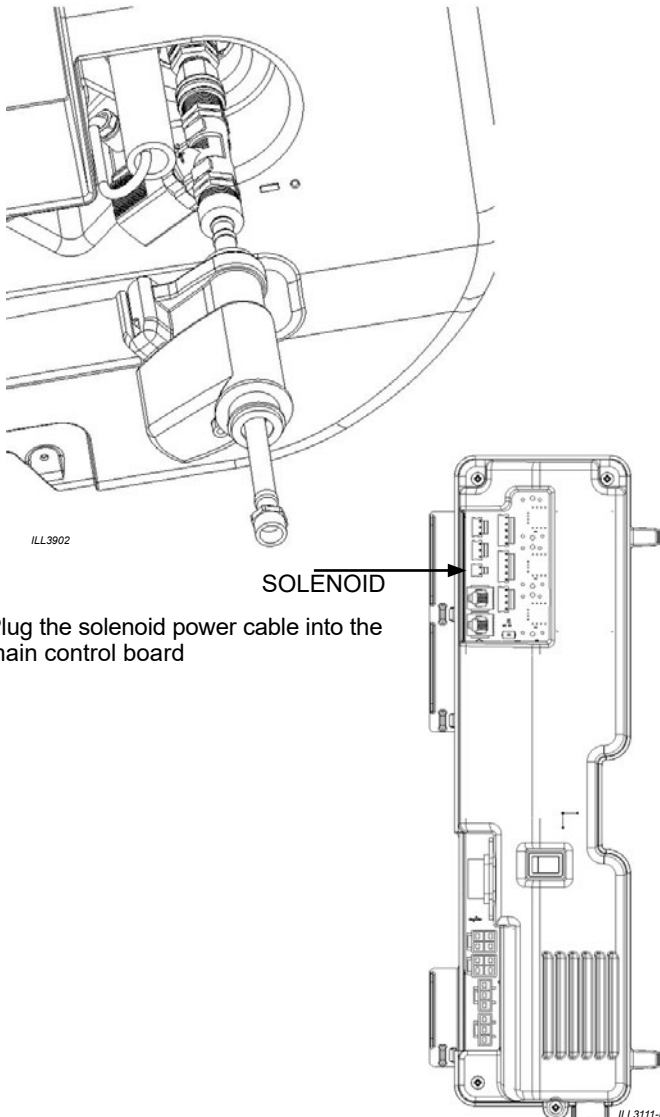
Water Supply Salinity:

100 to 1150µS/cm

WATER INLET SOLENOID VALVE

The installation kit contains the inlet water solenoid valve kit and a hose set which must be fitted on-site. Follow the instructions provided in the kit to fit the valve and covers.

It is a requirement to fit the new detachable hose set supplied. Any old hose sets should not be re-used.



WATER SUPPLY PRESSURE REGULATION

The Installer must provide a pressure regulator in the water supply line adjacent to the cooler to regulate water supply pressures between 100kPa (15 PSI) and 800kPa (115 PSI).

Important! Water pressures which are lower than 100kPa (15 PSI) will prevent the inlet solenoid valve from opening.

Important! Water pressures which are higher than 1200 kPa (175 PSI) and/or water temperatures which are higher than 40°C (105°F) risk inlet solenoid valve failure.

Water pipes installed on the outside of a building, or any other exposed location, shall have adequate insulation to protect against freezing in the winter and solar radiation heating in the summer.

If a non-return valve is installed in the water supply line, it is recommended that a suitable pressure relief valve is also installed between the cooler and non-return valve to limit the pressure rise associated with the heating effects of ambient temperature and solar radiation.

WATER SUPPLY ISOLATION

The Installer must provide a manual 1/4 turn ball type shut off valve (do not use a stop cock) in the water supply line adjacent to the cooler, subject to local plumbing regulations. This allows the water supply to be isolated whenever work needs to be done on the cooler.

In areas where temperatures can cause water supply pipes to freeze, a drain down facility should be provided during the installation. This drain down facility must be activated prior to freezing conditions, to avoid possible damage to the cooler components.

WATER SUPPLY FILTRATION

The Installer must provide an inlet water filter, with a minimum 500 microns mesh, in the water supply line, external to the cooler, to prevent any debris from entering and damaging cooler components.

Important! Flush the water pipe to remove any contaminants (swarf, filings or dirt) before final fitting. Contaminants can lodge in the inlet solenoid valve, preventing it from functioning correctly.

The cooler's water management system is designed to use water that is suitable to be classified as 'potable' and fit for human consumption. If alternative water (including rain water) is to be used that contains unusually high or low levels of salinity, hardness, acidity or chemical contaminants, then additional filtration or treatment systems should be employed to render the water 'potable'.

WATER HAMMER

Not all installation pipeworks are the same, and some may require additional prevention against water hammer.

If water hammer is a problem, it is the responsibility of the Installer to fit an appropriate water hammer arresting device external to the cooler.

WATER REQUIREMENTS

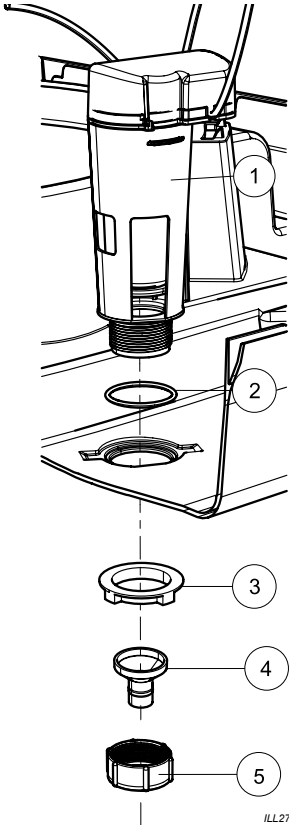
WATER DRAIN INSTALLATION

The cooler requires a permanent water drain to be connected.

A drain valve, controlled by the water management system, releases water from the cooler when required.

INSTALLATION OF THE WATER DRAIN MUST CONFORM TO LOCAL PLUMBING RULES, REGULATIONS AND STANDARDS.

The installation kit contains the drain valve which must be fitted on-site.



Make sure the "O"-ring (2) is fitted before placing the drain valve into the tank hole.

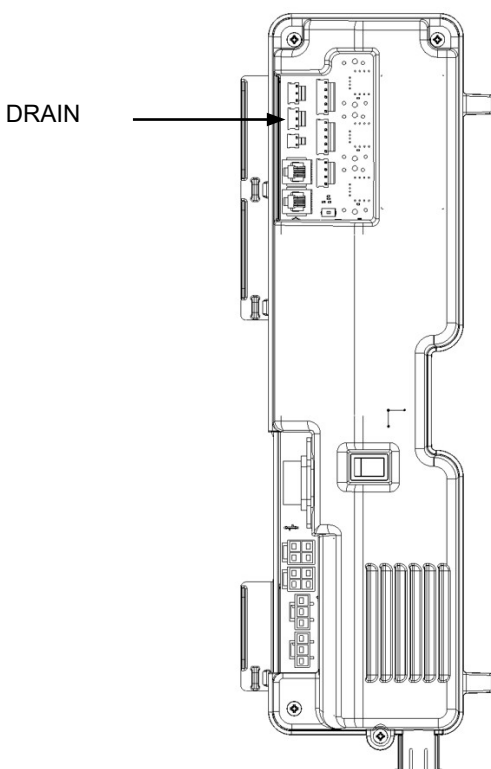
Orientate the valve so the flat on the valve body aligns with the flat in the tank hole.

Screw the nut (3) up tightly by hand underneath to secure the drain valve.

Locate the funnel (4) up against the bottom of the drain valve thread and secure with the second, larger nut (5).

Important! Do not over-tighten plastic fittings.

Plug the drain valve power cable into the main control board



Drain Connection:

20mm (3/4") Push On Hose Barb

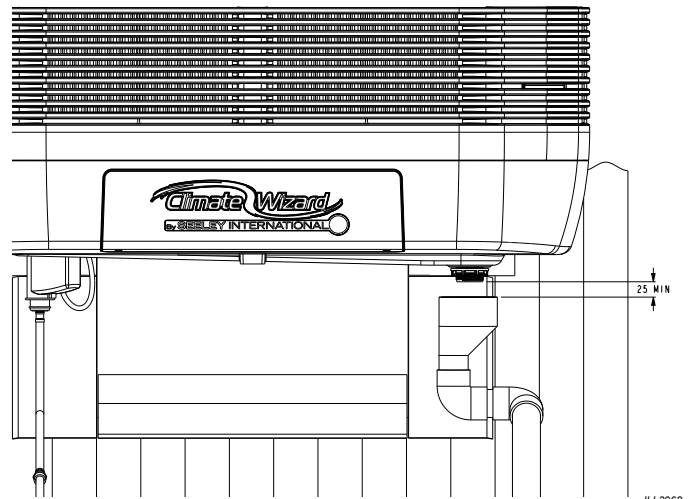
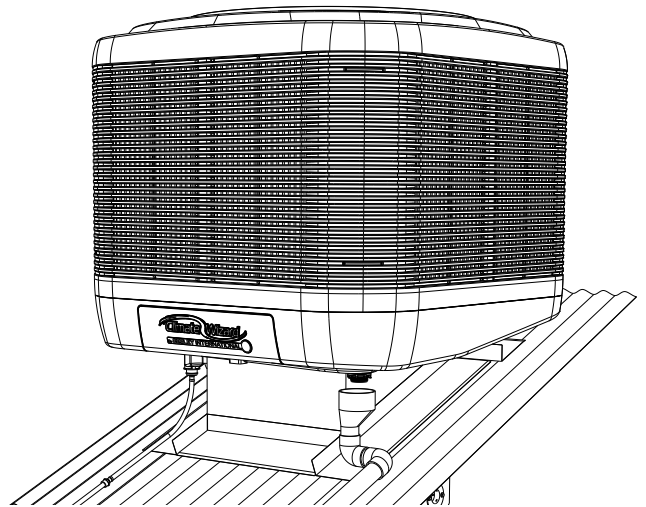
Drain Flow Rate:

15 L/min (4 gal/min)

Make sure the drain water discharge flows freely away from the cooler.

Important! Water drained from the drain valve is high in salinity and must be carried away to a suitable discharge point on the building or property. Never drain the water directly onto the roof

Important! Drainage systems with long pipe runs, multiple entry points, and/or incorporating traps shall use a tundish or similar device to create a 25mm (1") air-gap between the bottom of the drain valve and the drainage system.



COOLER CONTROL COMPONENTS

WATER MANAGEMENT SYSTEM

The cooler contains multiple parts to supply, distribute and manage the water needed for the heat exchangers.

Water Inlet Solenoid Valve

The inlet solenoid valve allows water into the water reservoir.

The inlet solenoid valve opens when the cooler is in COOL mode and the low probe has been dry for at least 5 seconds or the high probe has been dry for at least 15 minutes.

Once open, the inlet solenoid valve will remain open until the water high probe has detected water for at least 5 seconds.

If the water drain valve is open, the inlet solenoid valve will remain closed.

Indirect Pump (Left Pump)

The indirect pump moves water from the reservoir to the 8 indirect heat exchangers.

The indirect heat exchangers do not require continuous watering and the indirect pump runs on the following cycle:

- Indirect Pump ON time = 8 seconds
- Indirect Pump OFF time = 52 seconds

Direct Pump (Right Pump)

The direct pump moves water from the reservoir to the Chillcel® media.

The Chillcel® does not require continuous watering and the indirect pump runs on the following cycle:

- Direct Pump ON time = 5 seconds
- Direct Pump OFF time = 26 seconds

Water Salinity Control

As water evaporates from the heat exchangers, the salinity of the remaining water naturally increases.

The water management system uses the 3-pin water probe to measure water conductivity as a proxy for salinity. The probe can sense conductivity down to 9 μS (about 4ppm) .

Water conductivity is updated every time water reaches the high probe and, when it exceeds the upper set point, a salinity drain cycle will start.

Chlorinator Control

The chlorinator is a pair of specially treated plates. When energised and submerged in water, electrical current flows between them generating chlorine which is known to kill bacteria in water supplies.

The chlorinator is active when the cooler is in COOL mode, AND the water level is above the bottom probe AND the water conductivity is $>1500 \mu\text{S}/\text{cm}$.

If the water conductivity remain $<1500 \mu\text{S}/\text{cm}$ for 24 hours a clean tank drain cycle will start.

Water Tank (Reservoir) Drain Valve

The drain valve will automatically close when power is first applied to the cooler.

During a salinity drain cycle, the drain valve opens until the water level falls below the low probe, then the drain valve immediately closes, and the inlet solenoid valve opens to refill the reservoir with fresh water.

During a clean water drain cycle, the drain valve remains open for 10 minutes, after which, the inlet solenoid valve opens to refill the reservoir with fresh water.

The drain valve will open if it has been 3 days since COOL mode was last run.

Indirect Heat Exchanger Dry Cycle

When the cooler exits COOL mode a drying cycle is initiated.

The drying cycle is designed to prevent mould growth, maintain tank water quality, reduce indoor odours, and to preserve the integrity and longevity of the indirect heat exchange cores.

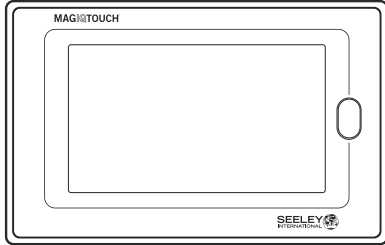
When a drying cycle is active, the exhaust fan will run at Speed 4 for 20 minutes.

COOLER CONTROL OPTIONS

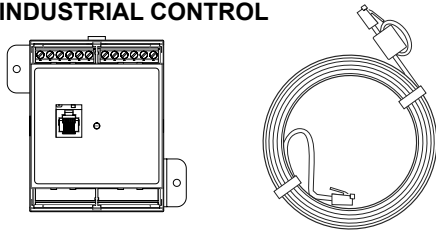
MAGIQTOUCH CONTROLS

This cooler is compatible with a wide range of MagIQtouch control solutions, including Wall Controllers, Building Management System (BMS) Controllers, and Sensor Accessories.

MAGIQTOUCH WALL CONTROL



MS1 BMS INDUSTRIAL CONTROL



COMMUNICATIONS CABLE

ILL2792-A

Refer to the Installation & Operation Manual for the selected MagIQtouch product for setup instructions.

Whichever control option is being used, the inbuilt water management and fault monitoring features are always functional.

Note! If a BMS is used, it is suggested that technicians obtain a MagIQtouch Wall Controller as a tool for use during servicing. The MagIQtouch Controller provides additional user and technician functions.

Important! Routing communication cables and AC power cables in close proximity can result in intermittent communication errors, locking up of screens, and/or inconsistent erratic operation.

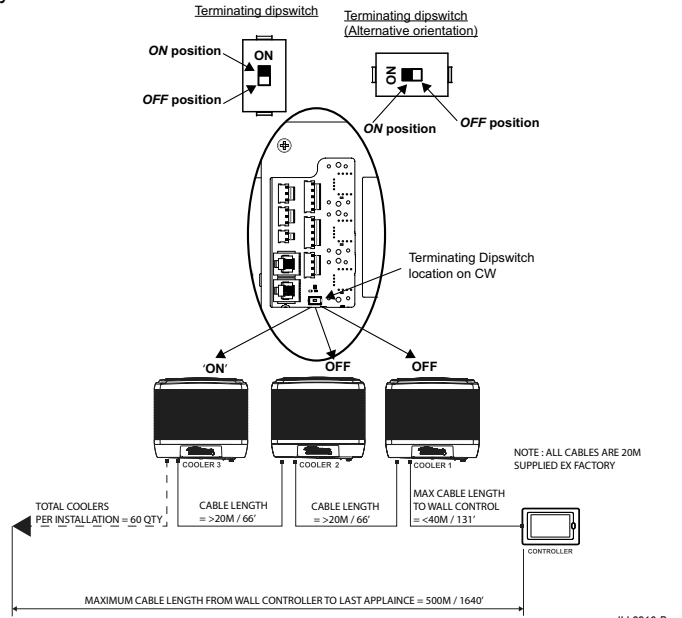
Seeley International recommends:

- Not routing data/communication and AC power cables in the same conduit.
- Not cable tying or taping data/communication and AC power cables together.
- Crossover communication and AC power cables at right angles.
- A minimum separation distance, as specified by local wiring standards, between communication and AC power cables. In Australia, this minimum separation distance is 50mm .

GROUP INSTALLATIONS

Each cooler electronics has a terminating resistor dipswitch located near the communications port. Ensure all cooler electronics dipswitches are set to "OFF" except for the last cooler in the series. The last cooler dipswitch should be switched to "ON" to ensure communication reliability.

Note: The terminating resistor dipswitch position is set to OFF by default.



Note! Only 1 x MagIQtouch External Air Sensor will operate in a group installation.

Important! The maximum cable length allowed from the MagIQtouch Controller to the first cooler is 40 metres (131'), between each subsequent cooler 40 metres (131') up to a maximum total distance of 500 metres (1650').

Coolers are supplied with a 20m (66') control cable. Longer cable lengths are available for order via Seeley International.

Failure of the product or components to operate correctly due to modification to supplied cables, or the use of non-approved cables will NOT be accepted under the Manufacturer's Warranty.

COMMISSIONING

Owner Name: Dealer:
Address: Date Installed:
..... Model No:
Telephone: Serial No:
Installer:

INSTALLATION CHECKLIST

This checklist only covers the key points to be observed during installation. Always refer to the relevant sections of the installation manual for full details.

COOLER LOCATION

- The integrity of the roof structure has been assessed as being able to support the cooler weight.
- The cooler is adequately supported, secure, and level.
- The cooler is installed in a position that allows adequate access for future maintenance and servicing activities.

INTAKE AIR

- The cooler will always receive a plentiful supply of fresh air.
- Inlet air filters installed correct way round. Observe airflow direction arrow on filter frame

SUPPLY AIR DROPPER/DUCTWORK

- The weatherseal operates correctly and can open and close without interference
- All building penetrations are correctly flashed and sealed.
- If flexible ducts are used, they are fully extended, hung correctly, with no kinks, tight bends, or squashed segments.
- All duct joints are fully sealed with no air leaks.
- The air balance for all outlets has been adjusted to the customer's satisfaction.

EXHAUST AIR

- The cooler's exhaust air is not likely to cause corrosion or damage to other nearby items.
- The cooler's exhaust air is not likely to re-circulate into the air intake of the cooler.

ELECTRICAL SUPPLY

- The electrical power supply installation adheres to all local and national regulations
- The electrical power supply is wired back to the distribution board on its own separate circuit.
- A mains isolation switch, with all pole disconnection, has been installed adjacent to the cooler.
- The owner has been instructed how they can electrically isolate the unit in case of an emergency.

WATER SUPPLY

- The inlet water solenoid valve is installed the correct way around, as detailed in this installation manual.
- The water supply installation adheres to all local and national regulations with no leaks at any fittings or valves.
- The water supply pipes were flushed of any foreign materials before connection to the cooler was made.
- The water is filtered as required.
- Static water pressure to each cooler is between 100kPa (15psi) and 800 kPa (115psi). Record the details
- Opening and closing the inlet water solenoid valve does not cause water hammer. **Water Pressure**
- Water flow rate to each cooler is greater than 10L/min (2.6 gal/min) when all coolers are filling. **Water Salinity**
- Water salinity is greater than 100uS/cm.
- An isolation valve has been installed adjacent to the cooler.
- The owner has been instructed on how to isolate the water supply to the cooler in case of emergency.

WATER DRAIN

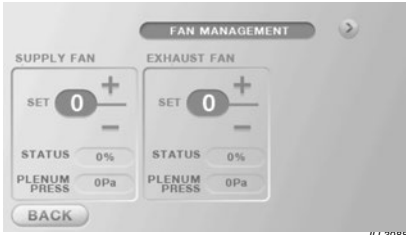
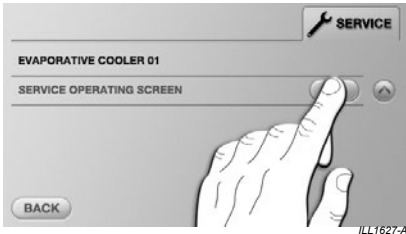
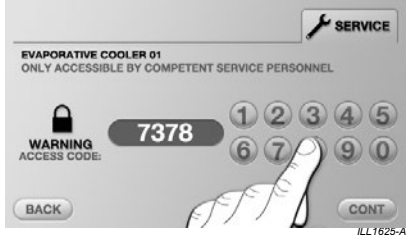
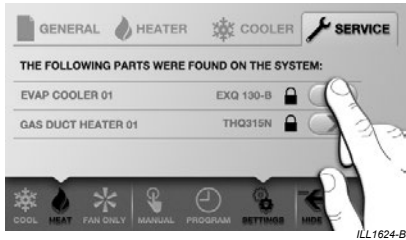
- The drain valve is installed correctly, as detailed in this installation manual.
- The water drain installation adheres to all local and national regulations with no leaks at any fittings or valves.
- Drain water pipes/hoses are free from any restrictions (kinks) or blockages.
- The drain water does not discharge onto the roof surface.

Signed by Installer: Commissioning Technician:

COMMISSIONING

MAGIQTOUCH SERVICE MENU

To assist with commissioning, each component on the cooler can be controlled individually via the MagIQtouch Service Operating Screen.



WATER MANAGEMENT SYSTEM CHECKS

Turn Fill Solenoid ON

- Confirm water enters reservoir.
- Wait until the water level reaches the low probes.
- Confirm Water Salinity reading is greater than 100 uS/cm.

Turn Stage 1 Pump ON

- Confirm right hand pump starts.

Turn Stage 2 Pump ON

- Confirm left hand pump starts.

Set Drain to OPEN

- Confirm the drain valve opens.
- Confirm water fully drains from the reservoir.

FAN CHECKS

Set Supply Fan to ON

- Set Speed initially to 1 and then progressively increase to 10.
- Check for unusual or excessive sound output at various fan speeds.
- Check for excessive vibration and/or rattle sounds.

Set Exhaust Fan to ON

- Set Speed initially to 1 and then progressively increase to 10.
- Check for unusual or excessive sound output at various fan speeds.
- Check for excessive vibration and/or rattle sounds.

COOLING CORE FLUSH

To reduce the probability of unusual odours, foaming, or water pull off, it is recommended to flush new heat exchangers with fresh water and then drain the reservoir.

- Using the MAGIQTOUCH Settings Menu, enable the Cooling Core Flush mode for 15 minutes.

During the flush process:

- Check there are no internal water leaks.
- Check the hose circuits are connected correctly.
- The blue hose circuit must be connected to the left pump and the bottom manifold connection on each cooling core.
- The grey hose circuit must be connected to the right pump and the top manifold connection on each cooling core.

CUSTOMER HANDOVER CHECKLIST

Run the cooler for at least 20 minutes in COOL mode at Speed 10 and confirm:

- Leaving temperatures are sufficiently cooler than ambient temperatures.
- No unusual odours.
- No visible water leaks.
- No excess water is draining from overflow.

Explain to the customer:

- The principles of ducted evaporative cooling.
- How far the windows need to be opened.
- How to turn the cooler on.
- How to operate the wall controller.
- How to drain the cooler.

Finally, confirm that:

- The customer has been given a copy of the cooler manual which includes Operation, Maintenance & Warranty details.
- All installation rubbish has been removed.
- Any property damage reported and/or repaired.

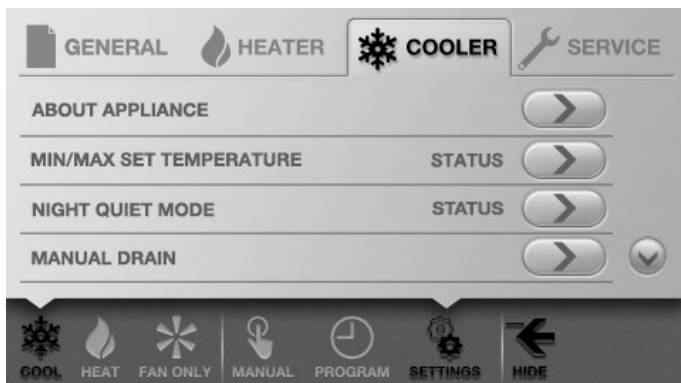
Signed by Installer:

Commissioning Technician:

COMMISSIONING

ADJUSTING COOLER SETTINGS

Within the SETTINGS menu of the MagIQtouch Controller is the COOLER sub-heading. Here various settings of the cooler can be adjusted.



ABOUT APPLIANCE

ILL1664-A

Displays information such as model number, serial number and software version for all coolers connected to the controller.

MANUAL DRAIN

Turns cooler off and drains the tank.

COOLING CORE FLUSH

Turns cooler off and runs pump for a specified amount of time.

DRAIN AND DRY

Cooler will drain and fan will run for 1 hour every day at a specified time.

WATER MANAGER

Select the preferred water management method:

- Salinity Measurement - replaces water when salinity level reaches set point.
- Timed Drain - drains the tank after 8 tank fill cycles or every 65 minutes (system dependant).

WEATHERSEAL OPEN SPEED

The cooler fan will turn on at the specified weatherseal opening speed for the first 10 seconds each time it starts up. It will then return to the set fan speed.

PRE-WET

When COOL mode is activated, the pump will run for 90 seconds before the fan is switched on.

SALINITY LEVEL

Sets the salinity level at which the tank will drain in "SALINITY MEASUREMENT" mode. It is recommended the cooler are set to LOW (2305 uS/cm)

TANK DRAIN DELAY

Sets the time delay before the drain valve opens after the pump in the cooler is turned off.

AUTOMATIC CLEAN FUNCTION

Run a Cooling Core Flush and Tank Drain based on cooler operating time.

FAULT CODE DESCRIPTIONS

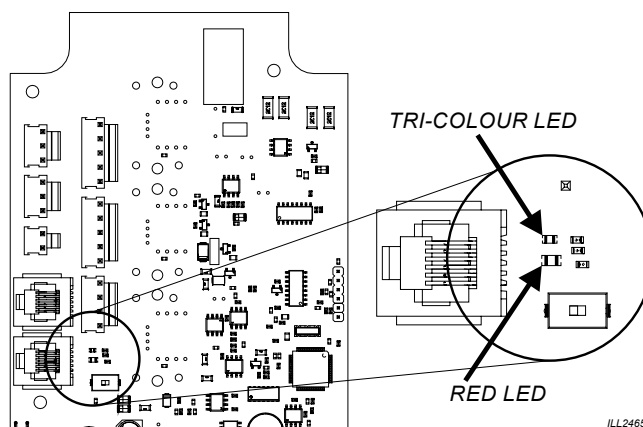
The cooler has 2 flashing LEDs visible on the control PCBA.

TRI-COLOURED LED: This LED can glow either Green, Red or Amber and indicates the fault status of the cooler.

TRI-COLOUR LED	FAULT CODE	FAULT DESCRIPTION	SUGGESTED REMEDY
2 Green Flash then 2 seconds off	-	NORMAL OPERATION	-
1 Red Flash then 2 seconds off	Fault Code #1	COMMUNICATION FAILURE Wall Control: No valid message for 60 seconds	Check communication cable connections. Replace Wall Control. Replace Communication Cable.
2 Red Flash then 2 seconds off	Fault Code #2	FAILURE TO DETECT WATER AT LOW PROBE No water detected at low probe 20 minutes after inlet water solenoid valve opening.	Check water supply on. Check solenoid valve open. Check drain valve closed. Check water management probe position relative to drain valve overflow. Clean water management probe.
3 Red Flash then 2 seconds off	Fault Code #3	FAILURE TO DETECT WATER AT HIGH PROBE No water detected at high probe 20 minutes after water detected at low probe with inlet water solenoid valve open.	Check solenoid valve open. Check water management probe position relative to drain valve overflow. Clean water management probe. Check water supply pressure sufficient to maintain tank capacity.
4 Red Flash then 2 seconds off	Fault Code #4	FAILURE TO CLEAR LOW PROBE DURING DRAIN Water still detected at low probe 20 minutes after drain opened.	Check drain valve open. Check drain pipework not blocked. Check solenoid valve closed. Clean water management probe.
5 Red Flash then 2 seconds off	Fault Code #5	WATER DETECTED AT HIGH PROBE BUT NOT LOW PROBE Water detected at high probe but not low probe for 5 minutes.	Clean water management probe.
7 Red Flash then 2 seconds off	Fault Code #7	SUPPLY MOTOR ERROR.	Check Motor Power Cable connections. Check Motor Communications Cable connections
-	Fault Code #8	WARM START Mains input voltage is under 93Vac but not low enough to reset the PCB. Fault Code recorded when voltage returns to usable level.	Consult with Building Manager.
1 Green/Red Flash then 2 seconds off	-	CHLORINATOR PERFORMANCE DEGRADED Chlorinator operating current is less than set point.	Clean Chlorinator Check flushing hose correctly attached. Prepare to replace Chlorinator at next service.
2 Green/Red Flash then 2 seconds off	-	CHLORINATOR PERFORMANCE SERIOUSLY DEGRADED Chlorinator operating current is less than 50% of set point.	Replace Chlorinator now to avoid fault in near future.
3 Green/Red Flash then 2 seconds off + 10 Red Flash	Fault Code #10	CHLORINATOR REACHED END OF LIFE	Replace Chlorinator now.
4 Green/Red Flash then 2 seconds off	-	CHLORINATOR SHORT CIRCUIT WARNING Chlorinator current >> target.	Clean Chlorinator Check flushing hose correctly attached. Check no debris between the Chlorinator Plates.
5 Green/Red Flash then 2 seconds off + 10 Red Flash	Fault Code #10	CHLORINATOR SHORT CIRCUIT FAULT Chlorinator current >> target again within 15 mins of reservoir drain and re-fill.	Check no debris between the Chlorinator Plates. Replace Chlorinator now.
13 Red Flash	Fault Code #13	EXHAUST MOTOR ERROR.	Check Motor Power Cable connections. Check Motor Communications Cable connections

RED COLOURED LED: This LED indicates the status of the conductivity measurement circuit

RED LED	DESCRIPTION
On Solid	No water at Low Probe or Conductivity <9µS/cm
1 Red Flash	Water Conductivity < 1500µS/cm
2 Red Flash	Water Conductivity < MAX (2305 or 4275 µs/cm).
4 Red Flash	24 Hour Clean Drain Mode Running



ILL2465-C

TROUBLESHOOTING

PROBLEM	POSSIBLE CAUSE	SUGGESTED REMEDY
Cooler fails to start/ not running.	Cooler in fault.	Clear active faults. Check wall controller fault code log. Check tri-colour LED for fault code.
	No power to cooler.	Check circuit breaker. Consult with building manager.
	Wall control in 7-day program mode.	Adjust setpoint and/or timer settings. Switch to manual mode to check fan operation.
	Cooler not receiving commands.	Complete wall controller installation process.
Inadequate cooling.	Cooler running in vent mode.	Turn to cool mode.
	Incorrect wall control temperature setpoint.	Adjust wall control setpoint. Move wall control to more appropriate location.
	Clogged or dirty inlet air filters	Clean or replace air filters.
	Clogged or dirty heat exchanger cores.	Clean or replace cores.
	Water pump failure.	Check all pumps are operating.
	Pumps run but insufficient water in tank.	Clean or replace water probe. Check water management probe position relative to drain valve overflow Check cooler is level.
	Pumps run but no water circulation or heat exchanger cores lack water	Clean pump strainer. Check water distribution system for possible obstruction in hoses. Check for blockages in the spreaders feeding the core assemblies.
	Inadequate exhaust from building.	Make sure there is adequate provision for exhausting air from building (open windows and doors).
	Under-sized ducts.	Carry out cooling load design to determine correct size unit, ducting and outlets required. Discuss with building manager.
	Under-sized cooler.	
	High ambient humidity.	On days during summer when ambient humidity is high the cooler will not reduce the temperature as much as on drier days. There is no remedy.
Excessive humidity.	Inadequate exhaust from building.	Make sure there is adequate provision for exhausting air from building (open windows and doors).
Noisy cooler.	Fans out of balance due to dirt, etc.	Clean the fans.
	Air duct noise	Increase size of ducts. Increase size of room registers/grilles
Unpleasant odour.	New heat exchanger cores.	See Commissioning Section for Cooling Core Flush
	Cooler located near source of unpleasant odour.	Remove source of odour or relocate cooler.
	Algae in reservoir water.	Drain reservoir, clean thoroughly with strong cleansing agent, refill.
	Cores remain wet after shutdown.	Run cooler on VENT mode after cooling cycle to dry heat exchanger cores out.
External water leaks.	Loose water hose connections.	Check and tighten connections.
	Blocked or undersized drains.	Check and clean drain lines.
	Excessive amounts of water from drain hose.	Check drain valve seal. Check water management probe position relative to drain valve overflow. Check cooler is level.
Water carryover in supply airstream.	Clogged or dirty heat exchanger cores.	Clean or replace cores.
	New heat exchanger cores.	See Commissioning section for Cooling Core Flush
	Heat exchanger cores not fitted correctly into plenum.	Check for airgaps around water spreaders and between cores.
Water carryover in exhaust airstream.	External static pressure too high.	Increase size of ducts. Increase size of room registers/grilles.

MAINTENANCE SCHEDULE

MAINTENANCE FREQUENCY

Maintenance of an indirect evaporative cooler is essential in maintaining proper performance and reliability.

All maintenance must be done by competent, qualified, licensed technicians, in accordance with National and/or Local Regulations.

The frequency of service is largely dependent on the conditions under which the cooler is operated. External factors, such as air and water quality, can affect the serviceable life of the cooler and its components. In particular, installations using hard water, usually defined as greater than 200mg/L, will experience greater scaling problems requiring a more frequent cleaning regime.

Similarly, the amount and type of use can also have a significant impact. The guidelines listed below are intended to provide help in formulating a proper service regime. Local, and in some cases, individual factors should be taken into account when deciding on the frequency of visits.

HEALTH REGULATIONS. In some regions, regulations require that evaporative air coolers be serviced at specific intervals. Ensure all maintenance is done in accordance with any local and national regulations.

TYPE OF INSTALLATION	MAINTENANCE SCHEDULE SERVICING FREQUENCY	AIR FILTERS	CHLORINATOR
COMMERCIAL / INDUSTRIAL INSTALLATIONS (Seasonal use)	Maintenance Schedule servicing must be a minimum of twice a year, typically immediately before and after the summer season.	Air filters should be cleaned every month of operation and replaced every year.	Chlorinators should be cleaned during each service and replaced every 4 years.
COMMERCIAL / INDUSTRIAL INSTALLATIONS (All year use)	Maintenance Schedule servicing must be performed every 3 months.	Air filters should be cleaned every month and replaced every year.	Chlorinators must be cleaned during each service and replaced every 2 years.

While installation is not covered by warranty (e.g. duct work, roof penetrations, electrical and water connections etc.), these items should be checked as they can affect the performance (and/or safety) of the cooler. For this reason, they are included in the Maintenance Schedule.

WINTER OPERATION AND SHUTDOWN

Climate Wizard coolers cannot be used in COOL mode in freezing conditions. In particular the inlet water solenoid valve, pumps, and drain valve are likely to fail in such conditions.

It is recommended that, to prevent damage to cooler components, the following tasks are completed before the start of the winter season.

1. Drain and clean the reservoir.
2. Drain down and isolate the water supply.
3. Isolate the power.

For installations requiring continuous operation through the winter, it is possible to run the cooler in VENT mode in freezing conditions, however customers must ensure the controls are not accidentally set to any cooling mode in these conditions.

Coolers fitted a MagIQtouch External Air Sensor can use Thermostatic Vent Mode and the Auto Drain temperature setpoint features on a MagIQtouch Wall Controller.

MAINTENANCE SCHEDULE

MAINTENANCE CHECKLIST

FOR FULL MAINTENANCE AND PART REPLACEMENT INSTRUCTIONS REFER THE CW3 / CW-6S SERVICE GUIDE.

DEFINITIONS

Clean - To wash and remove all dirt, grit or debris.

Check/Inspect - To visually inspect the item for correct operation, fitment and functionality.

Test - To turn the item on and off and confirm correct function.

Replace - To remove the existing item and replace with a specified genuine replacement part.

Note! It is important that only new Seeley International factory authorised replacement parts be used in this cooler. Failure to do so may void warranty, cause improper cooler performance, and unsafe operation.

* Air Filters and Chlorinators require replacement based on usage. Refer to frequency of service guidelines.

SERVICE NO.	1	2	3	4	5	6	7	8	9	10	11	12
EXTERNAL INSPECTION												
Check/Inspect the following parts for general deterioration, leaks, damage, corrosion, missing components, secure connections, and function.												
Cooler Body												
Supply Air Duct												
Support Frames / Curb												
Vibration Isolation												
Roof Flashing												
Isolation Switch												
Circuit Breakers/Fuses												
Power Cables												
Communication Cables												
Water Supply Pipe												
Water Supply Strainer/Filter												
Water Isolation Valve												
Drain Hose												
INTERNAL COMPONENTS												
Remove & Clean the following components.												
Air Filters*												
Exhaust Lid												
Check/Inspect the following components.												
Exhaust Fan Cap												
Rubber Retaining Straps												
HEAT EXCHANGE MANIFOLDS												
Remove & Clean the following components												
Microcore												
Chillcel												
Indirect Spreader												
Direct Spreader												

MAINTENANCE SCHEDULE

SERVICE NO.	1	2	3	4	5	6	7	8	9	10	11	12
INTERNAL WATER DISTRIBUTION												
Check/Inspect the following for general condition, damage and secure connections.												
Water Distribution Hoses												
Spreader Elbow O-rings												
Remove & Clean the following components												
Inlet Solenoid Valve Filter												
Pump Strainer Baskets												
Water Probe Pins												
Chlorinator*												
Tank Surfaces												
Test the following components												
Water Probe Resistance												
FAN & MOTORS												
Check/Inspect the following for general condition and damage.												
Supply Fan Blades												
Exhaust Fan Blades												
Supply Motor Mounts												
Exhaust Motor Mounts												
Supply Motor Cable Glands												
Exhaust Motor Cable Glands												
Test the following.												
Weather Seal Moves Freely												
Supply Motor Spins Freely												
Exhaust Motor Spins Freely												
FUNCTIONAL TEST												
Test the following components using the MagiQtouch Controller service screen.												
Inlet Solenoid Valve												
3-Pin Water Probe												
Drain Valve												
Indirect (Left) Pump												
Direct (Right) Pump												
Supply Fan Speed Control												
Exhaust Fan Speed Control												
Check/Inspect the following whilst running at full speed.												
No excessive noise												
No excessive vibration												
No water leaks												
Correct internal water levels												

APPENDIX A: GENERIC ROOF MOUNTING

GENERAL NOTES

GENERIC AIR CONDITIONING ROOF MOUNT

- STRUCTURAL DWG INDEX
 S01 - GENERAL NOTES 1
 S02 - GENERAL NOTES 2
 S03 - TIMBER TRUSS - 600mm SPACING
 S04 - TIMBER TRUSS - 1200mm SPACING
 S05 - STEEL TRUSS - 600mm SPACING
 S06 - STEEL TRUSS - 1200mm SPACING
 S07 - CONVENTIONAL ROOF FRAMING

GENERAL NOTES

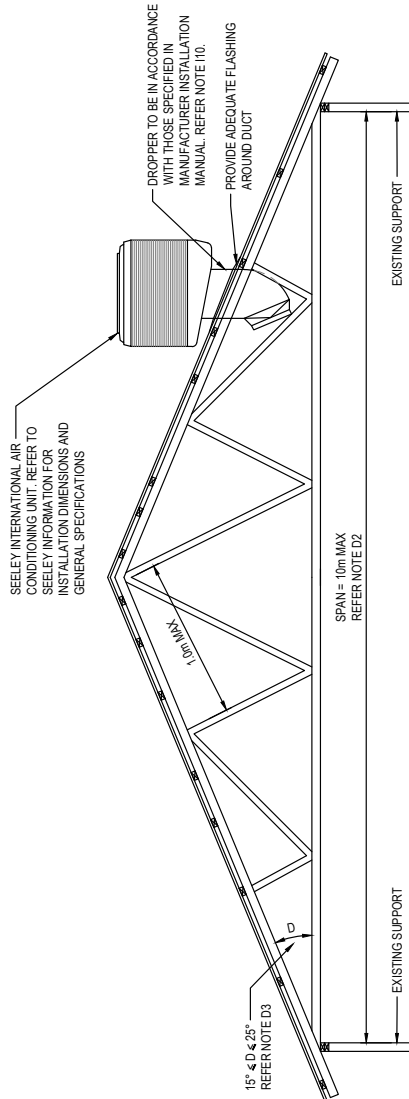
- G1 THESE DRAWINGS SHALL BE READ IN CONJUNCTION WITH ALL ENGINEER'S SOIL REPORT, ARCHITECTURAL AND OTHER CONSULTANT'S DRAWINGS AND SPECIFICATIONS AND WRITTEN INSTRUCTIONS AS MAY BE ISSUED DURING THE COURSE OF THE CONTRACT.
 G2 THESE DRAWINGS SHALL NOT BE USED FOR CONSTRUCTION UNTIL ISSUED AS 'FOR CONSTRUCTION' BY THIS OFFICE.
 G3 THE CONTRACTOR SHALL GIVE AT LEAST 1 WORKING DAY NOTICE FOR ALL ENGINEERING INSPECTIONS.
 G4 ALL DIMENSIONS, LEVELS ETC. SHALL BE CONFIRMED FROM THE ARCHITECT'S DRAWINGS AND / OR CHECKED FROM THE JOB.
 G5 IF ANY DISCREPANCY OCCURS ON THE ENGINEER'S DRAWINGS OR BETWEEN DRAWINGS AND THE SPECIFICATION, THE DISCREPANCY MUST BE REFERRED TO THE MATERIALS AND WORKMANSHIP SHALL BE IN ACCORDANCE WITH THE REQUIREMENTS OF THE CURRENT AUSTRALIAN STANDARDS CODES AND THE BY-LAWS AND ORDINANCES OF THE RELEVANT BUILDING AUTHORITY EXCEPT WHERE VARIED BY THE PROJECT SPECIFICATION.
 G6 ALL DIMENSIONS SHOWN SHALL BE VERIFIED ON SITE. ENGINEER'S DRAWINGS MUST NOT BE SCALED.
 G7 DURING CONSTRUCTION THE STRUCTURE SHALL BE MAINTAINED IN A STABLE CONDITION AND NO PART SHALL BE OVERSTRESSED.
 G8 THE STRUCTURE HAS BEEN DESIGNED FOR THE FOLLOWING EARTHQUAKE PARAMETERS:
 IMPORTANCE LEVEL = DOMESTIC
 PROBABILITY FACTOR (P) = 1.0
 HAZARD FACTOR (Z) = 0.1

TIMBER NOTES

- T1 ALL TIMBER WORK TO BE IN ACCORDANCE WITH AS 1720.1 AND 1684.2
 T2 DURING CONSTRUCTION IT IS THE RESPONSIBILITY OF THE CONTRACTOR TO ENSURE THE TIMBER IS PROTECTED FROM THE WEATHER AND TIMBER STRENGTH IS NOT IMPAIRED IN ANY WAY.
 T3 ALL TIMBER AT JOINTS SHALL BE FREE OF DEFECTS.
 T4 ALL WORKMANSHIP AND MATERIALS SHALL BE IN ACCORDANCE WITH AS1720 AND AS1684.
 T5 ABOVE GROUND EXTERNAL HARDWOOD TIMBER AND SOFTWOOD TIMBER SHALL BE TREATED TO LEVEL "H3" IN ACCORDANCE WITH AS1604 U.N.O.
 T6 CONCEALED SOFTWOOD TIMBER SHALL BE TREATED TO LEVEL "H2,F" IN ACCORDANCE WITH AS1604 FOR TERMITE PROTECTION.
 T7 EXTERNAL TIMBER SHALL BE MILDRED TO ACHIEVE A MOISTURE CONTENT NOT EXCEEDING 19%.
 T8 HARDWOOD TIMBER SHALL BE MINIMUM F11 STRESS GRAD U.N.O. SOFTWOOD TIMBER SHALL BE MGP10 U.N.O.
 T9 ALL CUT SURFACES OF TREATED MEMBERS SHALL BE RE-TREATED ON SITE TO ACHIEVE ORIGINAL HAZARD CLASS, IN ACCORDANCE WITH AS1604.
 T10 TIMBER EXPOSED TO VIEW SHALL BE DRESSED (PLANED ALL ROUND).
 T11 EXTERNAL TIMBER IN BUSH FIRE ZONES MUST BE SEASONED HARDWOOD AS DEFINED IN AS1702, WITH A MINIMUM DENSITY OF 600kg/m³ AT 12% MOISTURE CONTENT AND COMPLY WITH THE SOUTH AUSTRALIAN HOUSING CODE.
 T12 THE USE OF COA TREATED TIMBER IN A SCHOOL ENVIRONMENT MAY BE RESTRICTED BY SOUTH AUSTRALIAN GOVERNMENT OR OTHER OHS&W POLICIES. THE CONTRACTOR IS RESPONSIBLE FOR COMPLIANCE WITH THESE POLICIES.
 T13 PROPRIETARY TIMBER CONNECTORS SHALL BE INSTALLED IN ACCORDANCE WITH THE MANUFACTURER'S WRITTEN INSTRUCTIONS.
 T14 ALL FASTENERS (SCREWS, BOLTS & BRACKETS) SHALL BE HOT DIPPED GALVANISED (NOT ZINC PLATED). FIXED IN ACCORDANCE WITH AS1701.
 T15 BOLTED CONNECTIONS IN UNSEASONED TIMBER SHALL BE RE-TIGHTENED PRIOR TO THE FIXING OF CLADDING.
 T16 ALL TIMBER SIZES, DETAILS, CONNECTIONS, TIE DOWNS AND BRACING SHALL BE IN ACCORDANCE WITH AS1684, NATIONAL TIMBER FRAMING CODE AND MANUFACTURER'S SPECIFICATIONS.
 T17 THE BUILDING IS TO BE TREATED TO THE REQUIREMENTS AND IN ACCORDANCE WITH AS3660 AND TO THE SPECIFICATIONS.
 T18 ALL TYPE 17 SCREWS TO BE 12g BUGLE SCREWS OR SIMILAR APPROVED (UNO), LENGTH TO SUIT.

DESIGN CRITERIA & KEY ASSUMPTIONS

- D1 EXISTING TRUSSES ARE ASSUMED TO BE AS PER TYPICAL LAYOUT SHOWN. OTHER SIZE TRUSSES ARE OUTSIDE OF THE SCOPE OF THIS GENERIC DESIGN.
 D2 SPAN 10.0m OR LESS. ANY SPANS OVER 10.0m ARE OUTSIDE GENERIC DESIGN BOUNDARIES AND A QUALIFIED ENGINEER SHOULD BE CONSULTED.
 D3 PITCHES OF ROOF TO BE 15°, 22.5° AND 25°. ALTERNATE PITCHES BETWEEN 15° AND 25° ARE ADEQUATE. ANY PITCHES LESS THAN 15° OR GREATER THAN 25° ARE OUTSIDE GENERIC DESIGN BOUNDARIES AND A QUALIFIED ENGINEER SHOULD BE CONSULTED.
 D4 IT IS RECOMMENDED THAT SEELEY INTERNATIONAL AIR CONDITIONING UNIT IS INSTALLED CLOSEST TO TRUSS TOP CHORD SUPPORTS AS POSSIBLE, I.E. ABOVE TRUSS DIAGONAL WEB. CATEGORY N1, N2 AND N3 REFER TO DETAILS FOR THE THAN THE ABOVE ARE OUTSIDE GENERIC DESIGN BOUNDARIES AND A QUALIFIED ENGINEER SHOULD BE CONSULTED.
 D5 EXISTING TRUSSES ARE ASSUMED TO BE IN GOOD CONDITION WITH NO SIGN OF DETERIORATION. PREFABRICATED TRUSSES SUITABILITY IN ACCORDANCE WITH REGULATION 74 OF THE DEVELOPMENT REGULATION 2008.
 D6 ADDITIONAL DEFLECTION OF TRUSSES SHOULD BE EXPECTED. HOWEVER THIS MAY BE MINIMAL AND ACCEPTABLE.
 D7 TRUSS SPACING @ 600 CTRS IS ASSUMED TO SUPPORT A TILE ROOF. TRUSS SPACING @ 1200 CTRS IS ASSUMED TO SUPPORT A SHEET ROOF.
 D8 CUTTING OF ANY TRUSS MEMBERS IS NOT ALLOWED WITH ENGINEER.
 D9 IF TRUSS LENGTH EXCEEDS 10m BUT HAS SUPPORTS REDUCING THE SPAN TO 10m OR LESS, GENERIC DESIGN IS STILL APPLICABLE.
 D10 IN M3 WIND ZONE REQUIRE 90x35 MGP12 TOP CHORDS.



TYPICAL TRUSS LAYOUT
 NOT TO SCALE

ISSUE	DATE	DESCRIPTION	INITIAL
C6	28.2.19	ISSUED FOR CERTIFICATION	HN
C7	28.3.19	ISSUED FOR CERTIFICATION	HN
C8	05.04.19	ISSUED FOR CERTIFICATION	TN

<p>ISSUED FOR CERTIFICATION NOT FOR CONSTRUCTION</p>		<p>PROJECT GENERIC AIR CONDITIONING ROOF MOUNT</p>	
<p>CLIENT SEELEY INTERNATIONAL</p>		<p>DRAWING TITLE GENERAL NOTES 1</p>	
<p>452 Fulleney Street, Adelaide SA 5000 Telephone (08) 8231 2832 Facsimile (08) 8311 1742 www.mbi.com.au</p>		<p>DRAWING NUMBER S01</p>	
<p>REVISION</p>		<p>PROJECT NUMBER 2017-6648</p>	
<p>DATE Apr-19</p>		<p>DRAWING SCALE NTS</p>	
<p>ISSUER PG</p>		<p>DESIGNER JT</p>	
<p>DATE Apr-19</p>		<p>MANAGER TH</p>	
<p>PROJECT 2017-6648</p>		<p>SHEET SIZE A3</p>	
<p>CLIENT SEELEY INTERNATIONAL</p>		<p>DO NOT SCALE FROM THIS DRAWING</p>	
<p>REVISION</p>		<p>REV C8</p>	

APPENDIX A: GENERIC ROOF MOUNTING

GENERAL NOTES

ISSUE	DATE	REVISION DESCRIPTION	INITIAL
C6	27.2.19	ISSUED FOR CERTIFICATION	HN
C7	28.3.19	ISSUED FOR CERTIFICATION	HN
C8	05.04.19	ISSUED FOR CERTIFICATION	TN

REVISION	DESCRIPTION	INITIAL
SID1	MLEI CONSULTING ENGINEERS HAVE CONDUCTED A PRELIMINARY SAFETY IN DESIGN REVIEW OF THE DESIGN ON THESE DRAWINGS. IT IS SUMMARIZED IN THE NOTES BELOW. THE REVIEW IS BASED GENERALLY ON THE PROCEDURE OUTLINED IN THE SAFE WORK AUSTRALIA PUBLICATION "SAFE DESIGN OF STRUCTURE CODE OF PRACTICE".	
SID2	THE DESIGN HAS NOT BEEN REVIEWED WITH CONTRACTOR/BUILDER AT THE TIME OF ISSUE FOR TENDER OR CONSTRUCTION. CONSTRUCTION METHODS VARY BETWEEN CONTRACTORS. SO IT IS NOT POSSIBLE FOR MLEI CONSULTING ENGINEERS TO PERFORM AN EXHAUSTIVE SAFETY IN DESIGN OR SAFETY IN CONSTRUCTION REVIEW. ONCE APPOINTED, THE CONTRACTOR IS REQUIRED TO UNDERTAKE A THOROUGH REVIEW OF THE DESIGN WITH THEIR SUBCONTRACTORS TO IDENTIFY SAFETY RISKS DURING CONSTRUCTION AND DURING THE LIFE OF THE BUILDING.	
SID3	THE SAFETY RISK MITIGATION ITEMS BELOW ARE BASED ON MLEI'S DESIGN OFFICE EXPERIENCE AND DO NOT NECESSARILY ACCOUNT FOR ALL CONSTRUCTION, OPERATION, MAINTENANCE AND DEMOLITION SAFETY RISKS BASED ON INFORMATION WHEN THIS DRAWING WAS MADE IN ITS CAPACITY AS DESIGNER ONLY. MLEI HAS TRIED TO IDENTIFY SAFETY RISKS PERTAINING TO CONSTRUCTION, OPERATION, MAINTENANCE AND DEMOLITION PHASES OF THE ASSET. INCLUSION (OR NOT) OF ANY ITEM DOES NOT REDUCE OR LIMIT OBLIGATIONS OF CONSTRUCTOR, USER, MAINTAINER AND DEMOLISHER TO UNDERTAKE APPROPRIATE RISK MANAGEMENT ACTIVITIES TO REDUCE RISK AND IS NOT AN ADMISION BY MLEI THAT INCLUSION OF ANY ITEM IS THE DESIGNER'S RESPONSIBILITY.	
SID4	CONSTRUCT BUILDING ELEMENTS THAT CONTRIBUTE TO SAFETY SUCH AS HAND RAILS AND TOE BOARDS, FALL ARREST SYSTEMS, etc AS EARLY AS POSSIBLE.	
SID5	PROVIDE SAFETY BARRIERS AT EDGES OF OPENINGS AND ELEVATED AREAS.	
SID6	REVIEW ADEQUACY OF WORKING SPACE AVAILABLE FOR CONSTRUCTION ACTIVITIES. ENSURE SEPARATION OF PLANT AND PERSONNEL ON SITE, INCLUDING MOVEMENTS OF BOTH.	
SID7	LOCATE LIFTING SLEW AND LAY DOWN AREAS AWAY FROM REGULAR CONSTRUCTION TRAFFIC.	
SID8	ENSURE ISOLATION SAFE SYSTEMS OF WORK OR PROTECTIVE MEASURES ARE INSTALLED BEFORE WORKING NEAR LIVE ELECTRICAL INFRASTRUCTURE. PROVIDE PROTECTION OF ELECTRICAL OVERHEAD WIRING SYSTEMS DURING CONSTRUCTION.	
SID9	PROVIDE ACCESS AND EGRESS TO EXCAVATIONS APPROPRIATE IN CASE AND INUNDATION, COLLAPSE OF ENGULFMENT.	
SID10	LOCATE STOCKPILES AND HEAVY EQUIPMENT INCLUDING CRANES AWAY FROM BURIED SERVICES AND BUILDING BOUNDARIES WHERE ADJACENT BASEMENTS ARE PRESENT.	
SID11	SEEK ADVICE FROM SUITABLY QUALIFIED GEOTECHNICAL OR STRUCTURAL ENGINEER PRIOR TO OPERATION OF HEAVY SURFACE PLANT AND EQUIPMENT OR STOCKPILING MATERIAL NEAR OPEN EXCAVATIONS OR EXISTING RETAINING STRUCTURES.	
SID12	DO NOT STOCKPILE MATERIALS BEHIND OR EXCAVATE IN FRONT OF EXISTING RETAINING WALLS UNTIL WALL STABILITY HAS BEEN REVIEWED BY SUITABLY QUALIFIED STRUCTURAL ENGINEER.	
SID13	HAVE LOAD CAPACITY OF STRUCTURES VERIFIED BY SUITABLY QUALIFIED STRUCTURAL ENGINEER BEFORE LOADING OF STRONG MATERIALS EXISTING OR PARTIALLY COMPLETED STRUCTURAL ELEMENTS.	
SID14	SEEK ADVICE FROM SUITABLY QUALIFIED STRUCTURAL ENGINEER IF PLACING CRANE LIFTS OR HOIST INSTALLATION OF PARTIALLY ERECTED OR SUSPENDED STRUCTURES.	
SID15	HAVE SUITABLY QUALIFIED STRUCTURAL ENGINEER UNDERTAKE STRUCTURAL CHECK OF EXISTING CONCRETE, MASONRY AND STUD WALLS WHERE FIXINGS OR EQUIPMENT IS TO BE ATTACHED.	
SID16	INSTRUCT SERVICES CONTRACTORS UNDER NO CIRCUMSTANCES CAN STRUCTURAL MEMBERS BE CUT, NOTCHED OR DRILLED TO ACCOMMODATE NEW SERVICES.	
SID17	DO NOT CUT OR UNBOLT ANY STRUCTURAL MEMBERS WITHOUT SEEKING REVIEW BY SUITABLY QUALIFIED STRUCTURAL ENGINEER.	
SID18	PROVIDE BUCKLING STABILITY TO LONG SPAN BEAMS, TRUSSES etc DURING ERECTION. IF UNSURE CHECK WITH SUITABLY QUALIFIED STRUCTURAL ENGINEER PRIOR TO LIFTING AND INSTALLATION.	
SID19	MINIMIZE SITE BASED TREATMENTS (eg WELDING, CUTTING, SPRAY PAINTING, GRIT BLASTING, etc.) PROVIDE ADEQUATE PROTECTION, SCREENING AND VENTILATION TO BASED TREATMENT IS UNAVOIDABLE.	
SID20	TRY TO AVOID WORKING IN CONFINED SPACES. IF CONFINED SPACES WORK CAN'T BE AVOIDED, PROVIDE A SAFE WORK METHOD STATEMENT ADDRESSING MITIGATION OF RISKS. PROVIDE ADEQUATE SIGNAGE TO TEMPORARY AND PERMANENT CONFINED SPACES TO AS2985.	
SID21	AVOID HOT WORKS ON SITE, PARTICULARLY IN TIMBER FRAMED STRUCTURES. HOT WORKS TO COMPLY WITH CLIENT PROCEDURES FOR APPLICATION "HOT WORKS PERMITS".	
SID22	DETERMINE APPROPRIATE METHOD OF PAINT REMOVAL AND DISPOSAL BEFORE STRIPPING PAINT, PARTICULARLY ON HISTORIC STRUCTURES COATINGS CONTAINING COAL TAR EPOXIES, BITUMENS AND ASPHALTS, ZINC CHROMATE AND LEAD PRESENT A HEALTH RISK. PROVIDE SCREENING TO PUBLIC AND ENVIRONMENT FOR PAINT REMOVAL AND CLEANING OPERATIONS. USE ENVIRONMENTALLY APPROPRIATE RESTORATION METHODS DURING MAINTENANCE AND REPAIR WORK.	
SID23	MAKE WORK AREAS SAFE WHERE STRUCTURAL ELEMENTS ARE DAMAGED, CRACKED OR HAVE SUFFERED SIGNIFICANT SECTION LOSS BEFORE ALLOWING GENERAL CONSTRUCTION OR REPAIR ACCESS.	
SID24	REPORT SIGNIFICANT SECTION LOSS OR CORROSION FLAKING BEFORE STARTING PAINTING OR REPAIRS. CONSULT SUITABLY QUALIFIED STRUCTURAL ENGINEER IF SECTION LOSS OR EXTENSIVE CORROSION FLAKING PRESENT BEFORE PROCEEDING WITH WORK.	
SID25	DEVELOP AND IMPLEMENT RISK MITIGATION STRATEGIES BEFORE ALLOWING ACCESS OVER SUSPENDED CLADDING FINISHES THAT MAY BECOME BRITTLE OVER TIME.	
SID26	REPORT LOOSE OR MISSING BOLTS etc. IN CONNECTIONS ENCOUNTERED DURING DAY TO DAY OPERATIONS.	
SID27	REMOVE MATERIAL FROM STORAGE STRUCTURES BEFORE UNDERTAKING MAINTENANCE WORKS.	
SID28	THIS DRAWING IS OWNED BY, AND REMAINS THE PROPERTY OF, MLEI CONSULTING ENGINEERS. REPRODUCTION OR USE OF THIS DRAWING WITHOUT PERMISSION IS ILLEGAL. THE CLIENT IS LICENSED TO USE THIS DRAWING FOR THE WORKS SPECIFICATION THIS SITE.	

SAFETY IN DESIGN NOTES
SID10 LOCATE STOCKPILES AND HEAVY EQUIPMENT INCLUDING CRANES AWAY FROM BURIED SERVICES AND BUILDING BOUNDARIES WHERE ADJACENT BASEMENTS ARE PRESENT.
SID11 SEEK ADVICE FROM SUITABLY QUALIFIED GEOTECHNICAL OR STRUCTURAL ENGINEER PRIOR TO OPERATION OF HEAVY SURFACE PLANT AND EQUIPMENT OR STOCKPILING MATERIAL NEAR OPEN EXCAVATIONS OR EXISTING RETAINING STRUCTURES.
SID12 DO NOT STOCKPILE MATERIALS BEHIND OR EXCAVATE IN FRONT OF EXISTING RETAINING WALLS UNTIL WALL STABILITY HAS BEEN REVIEWED BY SUITABLY QUALIFIED STRUCTURAL ENGINEER.
SID13 HAVE LOAD CAPACITY OF STRUCTURES VERIFIED BY SUITABLY QUALIFIED STRUCTURAL ENGINEER BEFORE LOADING OF STRONG MATERIALS EXISTING OR PARTIALLY COMPLETED STRUCTURAL ELEMENTS.
SID14 SEEK ADVICE FROM SUITABLY QUALIFIED STRUCTURAL ENGINEER IF PLACING CRANE LIFTS OR HOIST INSTALLATION OF PARTIALLY ERECTED OR SUSPENDED STRUCTURES.
SID15 HAVE SUITABLY QUALIFIED STRUCTURAL ENGINEER UNDERTAKE STRUCTURAL CHECK OF EXISTING CONCRETE, MASONRY AND STUD WALLS WHERE FIXINGS OR EQUIPMENT IS TO BE ATTACHED.
SID16 INSTRUCT SERVICES CONTRACTORS UNDER NO CIRCUMSTANCES CAN STRUCTURAL MEMBERS BE CUT, NOTCHED OR DRILLED TO ACCOMMODATE NEW SERVICES.
SID17 DO NOT CUT OR UNBOLT ANY STRUCTURAL MEMBERS WITHOUT SEEKING REVIEW BY SUITABLY QUALIFIED STRUCTURAL ENGINEER.
SID18 PROVIDE BUCKLING STABILITY TO LONG SPAN BEAMS, TRUSSES etc DURING ERECTION. IF UNSURE CHECK WITH SUITABLY QUALIFIED STRUCTURAL ENGINEER PRIOR TO LIFTING AND INSTALLATION.
SID19 MINIMIZE SITE BASED TREATMENTS (eg WELDING, CUTTING, SPRAY PAINTING, GRIT BLASTING, etc.) PROVIDE ADEQUATE PROTECTION, SCREENING AND VENTILATION TO BASED TREATMENT IS UNAVOIDABLE.
SID20 TRY TO AVOID WORKING IN CONFINED SPACES. IF CONFINED SPACES WORK CAN'T BE AVOIDED, PROVIDE A SAFE WORK METHOD STATEMENT ADDRESSING MITIGATION OF RISKS. PROVIDE ADEQUATE SIGNAGE TO TEMPORARY AND PERMANENT CONFINED SPACES TO AS2985.
SID21 AVOID HOT WORKS ON SITE, PARTICULARLY IN TIMBER FRAMED STRUCTURES. HOT WORKS TO COMPLY WITH CLIENT PROCEDURES FOR APPLICATION "HOT WORKS PERMITS".
SID22 DETERMINE APPROPRIATE METHOD OF PAINT REMOVAL AND DISPOSAL BEFORE STRIPPING PAINT, PARTICULARLY ON HISTORIC STRUCTURES COATINGS CONTAINING COAL TAR EPOXIES, BITUMENS AND ASPHALTS, ZINC CHROMATE AND LEAD PRESENT A HEALTH RISK. PROVIDE SCREENING TO PUBLIC AND ENVIRONMENT FOR PAINT REMOVAL AND CLEANING OPERATIONS. USE ENVIRONMENTALLY APPROPRIATE RESTORATION METHODS DURING MAINTENANCE AND REPAIR WORK.
SID23 MAKE WORK AREAS SAFE WHERE STRUCTURAL ELEMENTS ARE DAMAGED, CRACKED OR HAVE SUFFERED SIGNIFICANT SECTION LOSS BEFORE ALLOWING GENERAL CONSTRUCTION OR REPAIR ACCESS.
SID24 REPORT SIGNIFICANT SECTION LOSS OR CORROSION FLAKING BEFORE STARTING PAINTING OR REPAIRS. CONSULT SUITABLY QUALIFIED STRUCTURAL ENGINEER IF SECTION LOSS OR EXTENSIVE CORROSION FLAKING PRESENT BEFORE PROCEEDING WITH WORK.
SID25 DEVELOP AND IMPLEMENT RISK MITIGATION STRATEGIES BEFORE ALLOWING ACCESS OVER SUSPENDED CLADDING FINISHES THAT MAY BECOME BRITTLE OVER TIME.
SID26 REPORT LOOSE OR MISSING BOLTS etc. IN CONNECTIONS ENCOUNTERED DURING DAY TO DAY OPERATIONS.
SID27 REMOVE MATERIAL FROM STORAGE STRUCTURES BEFORE UNDERTAKING MAINTENANCE WORKS.
SID28 THIS DRAWING IS OWNED BY, AND REMAINS THE PROPERTY OF, MLEI CONSULTING ENGINEERS. REPRODUCTION OR USE OF THIS DRAWING WITHOUT PERMISSION IS ILLEGAL. THE CLIENT IS LICENSED TO USE THIS DRAWING FOR THE WORKS SPECIFICATION THIS SITE.

RECOMMENDED INSTRUCTIONS TO INSTALLER
11 EXISTING TRUSSES & ROOF FRAMING TO BE INSPECTED THOROUGHLY BEFORE BEGINNING ANY WORKS.
12 NOTE ANY NOTICEABLE DEFLECTION OR DETERIORATION OF EXISTING TRUSSES OR ROOF MEMBERS.
13 ONCE EXISTING FRAMING HAS BEEN DEEMED IN ADEQUATE CONDITION AND IS WITHIN THE REQUIREMENTS OF THIS GENERIC DESIGN, INSTALLATION MAY BEGIN.
14 INSTALL AIR CONDITIONING UNIT AND ADDITIONAL STRUCTURE AS PER DESIGN.
15 ANY PROPRIETARY PRODUCTS ARE TO BE INSTALLED STRICTLY IN ACCORDANCE WITH MANUFACTURER'S SPECIFICATION.
16 REFER TO SAFETY IN DESIGN NOTES FOR POTENTIAL RISKS AND MITIGATION TECHNIQUES.
17 IF INSTALLATION REQUIRES A WORKING PLATFORM, CONSULT ENGINEER AS NECESSARY.
18 INSTALL ALL STRENGTHENING MEMBERS AND TRIMMERS BEFORE THE AIR CONDITIONING UNIT.
19 ONCE INSTALLATION IS COMPLETE, ENSURE WORK SITE IS LEFT AS IT WAS FOUND.
110 DROPPER TO BE IN ACCORDANCE WITH THOSE SPECIFIED IN MANUFACTURER INSTALLATION MANUAL - NOT DESIGNED/VERIFIED BY MLEI.

PROJECT	DRAWING TITLE	ENGINEER	MANAGER
GENERIC AIR CONDITIONING ROOF MOUNT	GENERAL NOTES 2	JT	TH
CLIENT		PROJECT NUMBER	DRAWING SCALE
SEELEY INTERNATIONAL		2017-6648	NTS
		DATE	
		Apr-19	
		DRAWING NUMBER	SHEET SIZE
		S02	A3
			REV
			C8

APPENDIX A: GENERIC ROOF MOUNTING

TIMBER TRUSS - 600MM SPACING

MEMBER SCHEDULE	
MARK	REMARKS
TR1	90x45 MGP10 TRIMMER FIX TO CHORDS OF TRUSS WITH PRYDA MINIGRIP OR SIMILAR AT EACH END.
ST1	90x35 MGP10 STRUT FIX TO TOP CHORD WITH 2 x TYPE 17 SCREWS. FIX TO STEEL DROPPER WITH 2 x 12g TEK SCREWS. PROVIDE 1 STRUT EACH SIDE OF DROPPER.

ADDITIONAL 90x35 MGP10 NAIL LAMINATED TO TOP CHORD OF EXISTING TRUSS. MIN. 1800mm LONG. DROPPER TO BE INSTALLED AT MIDSPAN OF ADDITIONAL MEMBER WHERE POSSIBLE.

PROVIDE ADEQUATE FLASHING AROUND DUCT

REINSTATE ROOF SHEETING AND FIX TO TRIMMERS

STRUT TO BE HORIZONTAL WHERE POSSIBLE. EXTEND STRUT IF NECESSARY. STRUT TO BE NO MORE THAN 4000mm LONG.

PROVIDE TIMBER PACKING BETWEEN STRUT & STEEL DROPPER AS NECESSARY. TEK SCREWS NOT TO BE INSTALLED WITHIN 50mm OF CORNER OF DROPPER.

IF GAP EXISTS BETWEEN DROPPER AND MEMBERS, PROVIDE TIMBER PACKING TO SUIT. MAX. THICKNESS OF PACKING TO BE 50mm.

ADDITIONAL 90x35 MGP10 NAIL LAMINATED TO TOP CHORD OF EXISTING TRUSS. MIN. 1800mm LONG.

OUTLINE OF AIR CONDITIONING UNIT ABOVE

EXISTING TRUSS

EXISTING TRUSS

EXISTING TRUSS

12g TEK SCREWS AT 100 CTS (MIN. 5 PER SIDE)

1.0mm THICK A/C DROPPER

PRYDA MINIGRIP 235x3.150mm NAILS OR SIMILAR INTO EACH MEMBER.

ADDITIONAL 90x35 MGP10 NAIL LAMINATED TO TOP CHORD OF EXISTING TRUSS. MIN. 1800mm LONG.

A/C UNIT ELEVATION - 600mm TRUSS SPACING

SCALE 1:20

NOTES

- 600mm SPACED TRUSSES ASSUMED TO SUPPORT TILE ROOF.
- DIMENSIONS OF A/C UNIT AND DROPPER MAY VARY TO SUIT ROOF SLOPE.

BEAM WIDTH	MIN. SCREW GAUGE	MIN. SCREW LENGTH
45	No. 14	75mm
35	No. 14	75mm

BEAM WIDTH	MIN. NAIL GAUGE	MIN. NAIL LENGTH
45	3.30mm	90mm
35	3.06mm	70mm

TYPICAL SCREW LAMINATION DETAIL

SCALE 1:20

BEAD OF ELASTOMERIC ADHESIVE AROUND PERIMETER OF JOIN

SCREWS ALTERNATE SIDES

SECTION A-A

SCALE 1:20

REVISION	DATE	DESCRIPTION	INITIAL
C6	27.2.19	ISSUED FOR CERTIFICATION	HN
C7	28.3.19	ISSUED FOR CERTIFICATION	HN
C8	05.04.19	ISSUED FOR CERTIFICATION	TN

DRAWING TITLE		PROJECT	
TIMBER TRUSS - 600mm SPACING		GENERIC AIR CONDITIONING ROOF MOUNT	
DO NOT SCALE FROM THIS DRAWING		SEELEY INTERNATIONAL	

ENGINEER	MANAGER
JT	TH

DATE	PROJECT NUMBER	DRAWING SCALE
Apr-19	2017-6648	1:20

DRAWING NUMBER	SHEET SIZE	REV
S03	A3	C8

APPENDIX A: GENERIC ROOF MOUNTING

TIMBER TRUSS - 1200MM SPACING

MEMBER SCHEDULE

MARK	REMARKS
B1	45x90 MGP10. PROVIDE 2 No. 14 TYPE 17 SCREWS INTO TRUSS BOTTOM CHORD. MIN. 3 SPAN CONTINUOUS.
TR1	90x45 MGP12 TRIMMER FIX TO CHORDS OF TRUSS WITH 2 PRYDA MINIGRIPS OR SIMILAR AT EACH END.
TR2	90x45 MGP10 TRIMMER FIX TO TR1 WITH PRYDA MINIGRIP OR SIMILAR AT EACH END.
S11	90x45x10 STRUT. FIX TO B1 WITH 2 No. 12 TYPE 17 SCREWS. NOTCH AS REQUIRED. FIX TO STEEL DROPPER WITH 2 x 12g TEK SCREWS AT LOCATIONS SHOWN. PROVIDE ONE STRUT EACH SIDE OF STEEL DROPPER.

ADDITIONAL 90x35 MFG10 NAIL LAMINATED TO TOP CHORD OF EXISTING TRUSS. MIN. 1800mm LONG. DROPPER TO BE INSTALLED AT MIDSPAN OF ADDITIONAL MEMBER WHERE POSSIBLE.

PROVIDE ADEQUATE FLASHING AROUND DUCT

REINSTATE ROOF SHEETING AND FIX TO TRIMMERS

TR2 BEYOND

1200 MIN

AC UNIT ELEVATION - 1200mm TRUSS SPACING
SCALE 1:20

NOTES
1. 1200mm SPACED TRUSSES ASSUMED TO SUPPORT SHEET ROOF.
2. DIMENSIONS OF AC UNIT AND DROPPER MAY VARY TO SUIT ROOF SLOPE.

IF GAP EXISTS BETWEEN DROPPER AND MEMBERS, PROVIDE TIMBER PACKING TO SUIT. MAX. THICKNESS OF PACKING TO BE 50mm.

ADDITIONAL 90x35 MFG10 NAIL LAMINATED TO TOP CHORD OF EXISTING TRUSS. MIN. 1800mm LONG.

EXISTING TRUSS

OUTLINE OF AIR CONDITIONING UNIT ABOVE

PRYDA MINIGRIP 2/35x3.150mm NAILS OR SIMILAR INTO EACH MEMBER

No. 12 ROOFING SCREWS OR SIMILAR AT 100 CTS (MIN 5 PER SIDE)

1.0mm THICK AC DROPPER

EXISTING TRUSS

2-PRYDA MINIGRIPS 2/35x3.150mm NAILS OR SIMILAR INTO EACH MEMBER PER BRACKET

ADDITIONAL 90x35 MFG10 NAIL LAMINATED TO TOP CHORD OF EXISTING TRUSS. MIN. 1800mm LONG.

SECTION A-A
SCALE 1:20

TYPICAL SCREW LAMINATION DETAIL
SCALE 1:20

BEAD OF ELASTOMERIC ADHESIVE AROUND PERIMETER OF JOIN

SCREWS ALTERNATE SIDES

BEAM WIDTH	MIN. SCREW GAUGE	MIN. SCREW LENGTH
45	No. 14	75mm
35	No. 14	75mm

BEAM WIDTH	MIN. NAIL GAUGE	MIN. NAIL LENGTH
45	3,30mm	90mm
35	3,06mm	70mm

REVISION

ISSUE	DATE	DESCRIPTION	INITIAL
C6	27.2.19	ISSUED FOR CERTIFICATION	HN
C7	28.3.19	ISSUED FOR CERTIFICATION	HN
C8	05.04.19	ISSUED FOR CERTIFICATION	TN

ISSUED FOR CERTIFICATION NOT FOR CONSTRUCTION

PROJECT
GENERIC AIR CONDITIONING ROOF MOUNT

CLIENT
SEELEY INTERNATIONAL

DRAWING TITLE
TIMBER TRUSS - 1200mm SPACING

DO NOT SCALE FROM THIS DRAWING

DATE	PROJECT NUMBER	DRAWING SCALE
Apr-19	2017-6648	1:20

DATE	ENGINEER	MANAGER
2017-6648	JT	TH

DRAWING NUMBER: S04
SHEET SIZE: A3
REV: C8

APPENDIX A: GENERIC ROOF MOUNTING

STEEL TRUSS - 600MM SPACING

MEMBER SCHEDULE	
MARK	REMARKS
TR1	TRIMMER
ST1	STRUT FIX TO TOP CHORD AND STEEL DROPPER WITH 2-12g TEK SCREWS. PROVIDE 1 STRUT EACH SIDE OF DROPPER.

STEEL TRUSS - 600mm SPACING

SCALE 1:20

NOTES

- 600mm SPACED TRUSSES ASSUMED TO SUPPORT TILE ROOF
- DIMENSIONS OF AAC UNIT AND DROPPER MAY VARY TO SUIT ROOF SLOPE.

SECTION A

SCALE 1:20

DRAWING TITLE

STEEL TRUSS - 600mm SPACING

PROJECT

GENERIC AIR CONDITIONING ROOF MOUNT

CLIENT

SEELEY INTERNATIONAL

DRAWER PG

ENGINEER JT

DATE Apr-19

PROJECT NUMBER 2017-6648

DRAWING NUMBER S05

MANAGER TH

DRAWING SCALE 1:20

SHEET SIZE A3

REV C8

DO NOT SCALE FROM THIS DRAWING

ISSUED FOR CERTIFICATION

NOT FOR CONSTRUCTION

ISSUE	DATE	DESCRIPTION	INITIAL
C6	27.2.19	ISSUED FOR CERTIFICATION	HN
C7	28.3.19	ISSUED FOR CERTIFICATION	HN
C8	05.04.19	ISSUED FOR CERTIFICATION	TN

Consulting Engineers

452 Pulteney Street, Adelaide SA 5000

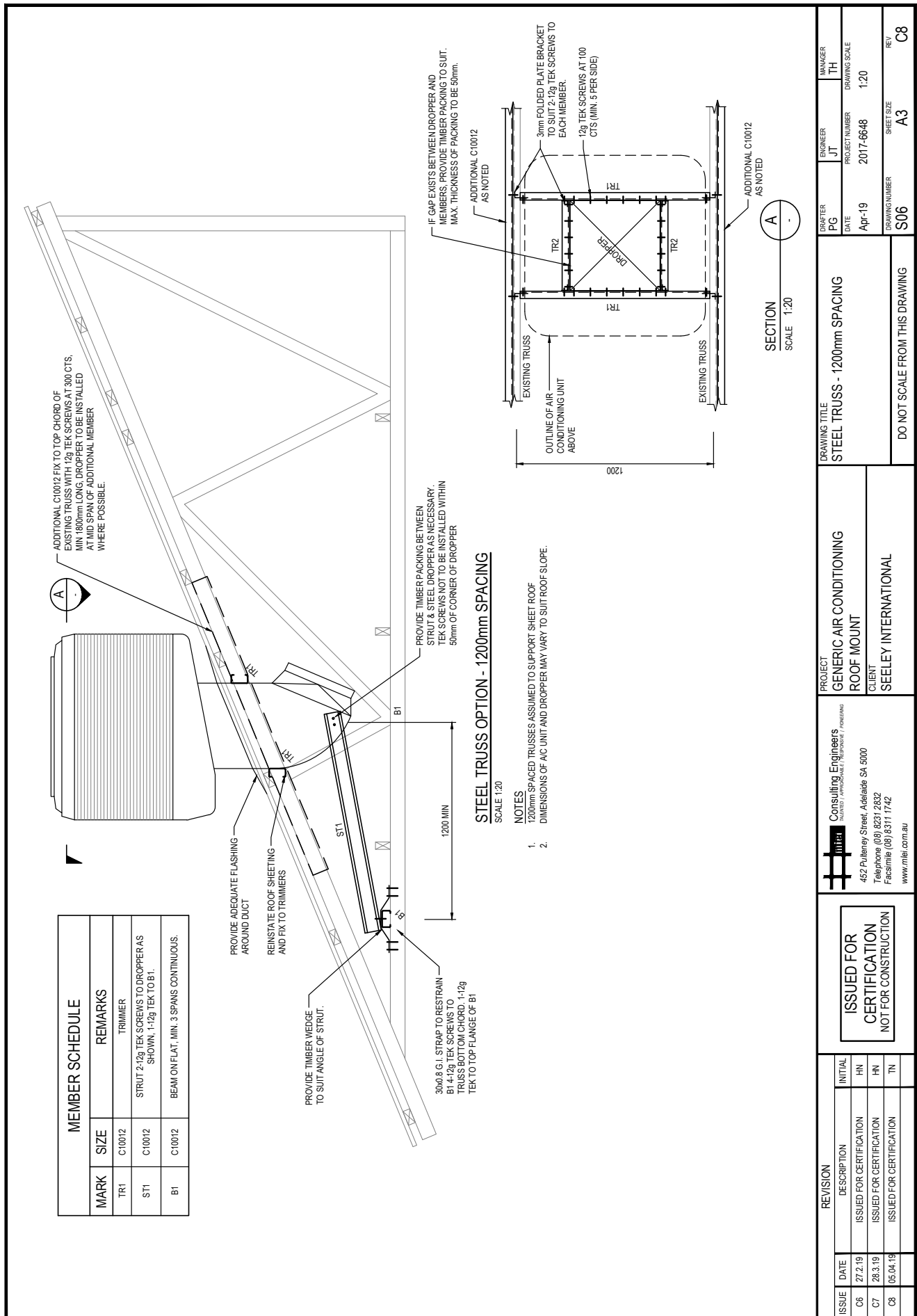
Telephone (08) 8231 2832

Fax/mobile (08) 8311 1742

www.mbe.com.au

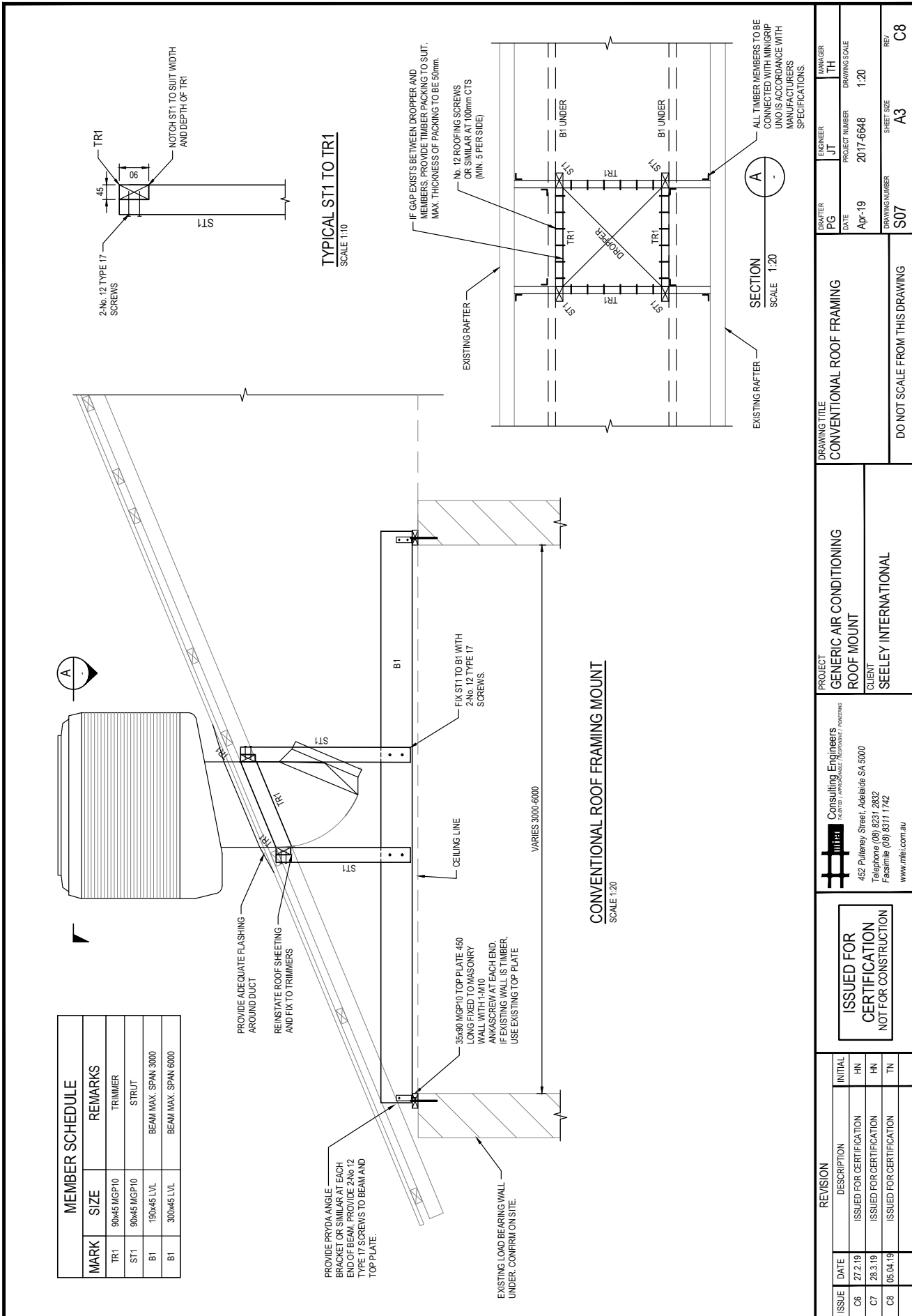
APPENDIX A: GENERIC ROOF MOUNTING

STEEL TRUSS - 1200MM SPACING



APPENDIX A: GENERIC ROOF MOUNTING

CONVENTIONAL ROOF FRAMING



MEMBER SCHEDULE		REMARKS
MARK	SIZE	
TR1	90x45 MGP10	TRIMMER
ST1	90x45 MGP10	STRUT
B1	190x45 LVL	BEAM MAX. SPAN 3000
B1	300x45 LVL	BEAM MAX. SPAN 6000

ISSUE	DATE	DESCRIPTION	INITIAL
C6	27.2.19	ISSUED FOR CERTIFICATION	HN
C7	28.3.19	ISSUED FOR CERTIFICATION	HN
C8	05.04.19	ISSUED FOR CERTIFICATION	TN

ISSUED FOR CERTIFICATION
NOT FOR CONSTRUCTION

mfel Consulting Engineers
A U.S. & AUSTRALIAN COMPANY OF ENGINEERING
452 Pulleney Street, Adelaide SA 5000
Telephone (08) 8231 2832
Facsimile (08) 8311 1742
www.mfel.com.au

PROJECT
GENERIC AIR CONDITIONING
ROOF MOUNT

CLIENT
SEELEY INTERNATIONAL

DRAWING TITLE
CONVENTIONAL ROOF FRAMING

DRAWER PG	ENGINEER JT	MANAGER TH
DATE Apr-19	PROJECT NUMBER 2017-6648	DRAWING SCALE 1:20
DRAWING NUMBER S07	SHEET SIZE A3	REV C8

DO NOT SCALE FROM THIS DRAWING

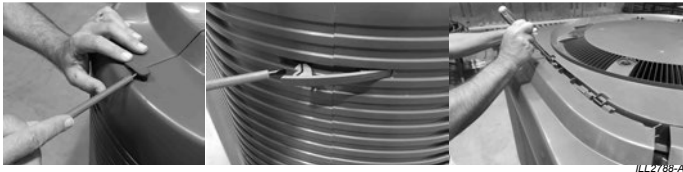
APPENDIX B: 'PIECE BY PIECE' INSTALLATION

The 'piece by piece' installation method should be employed as a secondary option when installation by crane is too difficult or not feasible.

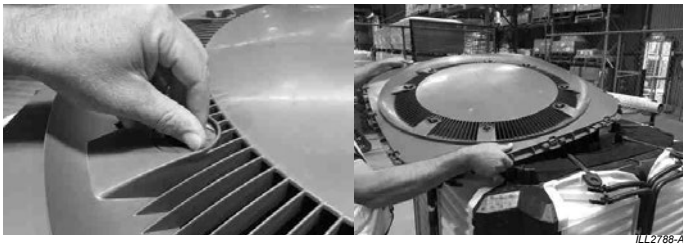
Important! If using this method, it is imperative that the disassembly and reassembly instructions are followed carefully. If the cooler is not correctly reassembled, the customer may experience a performance penalty in terms of cooling capacity and cooling effectiveness. It is the installer's responsibility to ensure that the cooler is reassembled correctly according to the following instructions. During disassembly/reassembly, be vigilant and ensure all fasteners and small components are stored in containers for safe keeping.

Initial disassembly on the ground:

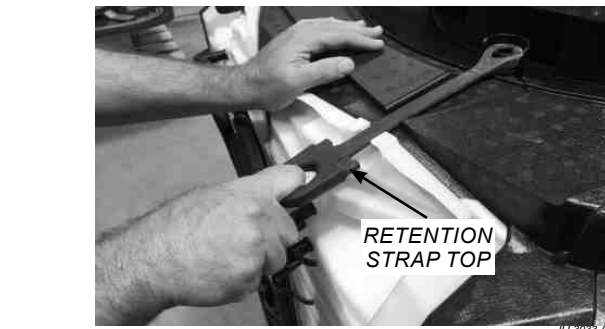
Remove all 8 side panel clips, all 4 top clips and all 4 side panel assemblies. This will require a flat head screw driver. Store the clips in a container.



Remove the lid grille by loosening all 8 of the encapsulated wing nut lid screws and then lifting the lid upwards. The lid screws are encapsulated and should not separate from the lid if untightened uniformly.



Unclip the spreader hoses and then pull and release the top manifold retention straps.



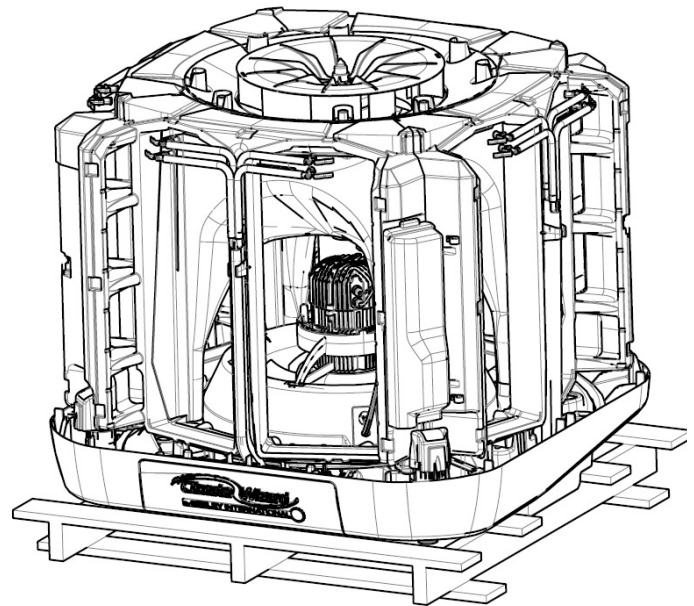
Release the bottom manifold retention straps.



The manifold assembly can now be pulled directly outwards.



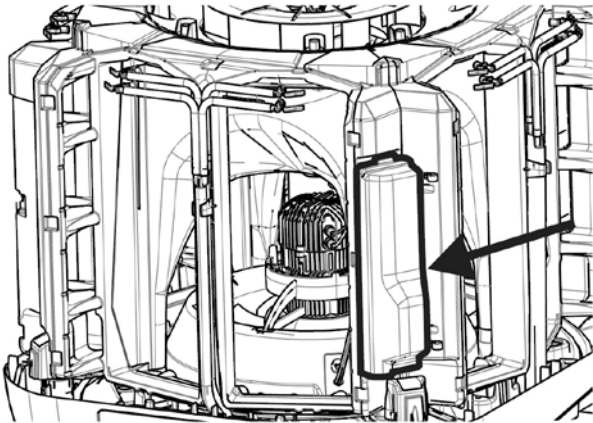
Cooler with manifolds removed.



APPENDIX B: 'PIECE BY PIECE' INSTALLATION

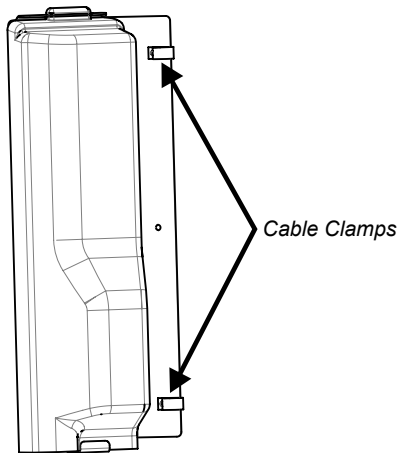
Removing the Top Motor/Fan Assembly:

The cooler electronics enclosure is located between the front and RHS side panels.



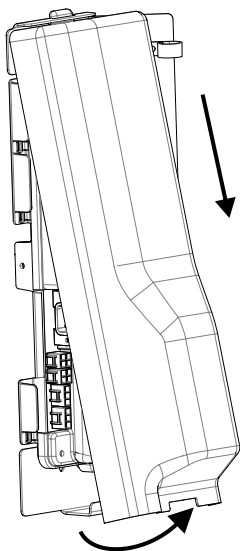
ILL3114-A

Disconnect the exhaust motor communications and power and remove all cables from the cable holders (holding the exhaust motor and pump cables).



ILL3117-A

Remove the electronics enclosure splash cover.

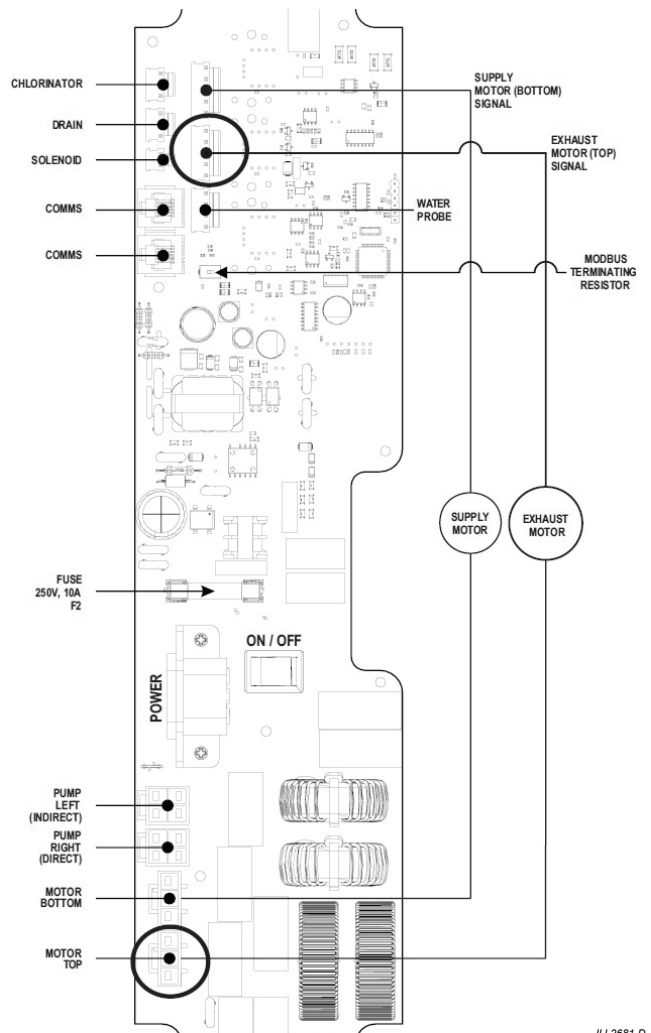


ILL3132-A

Unclip the bottom tab.

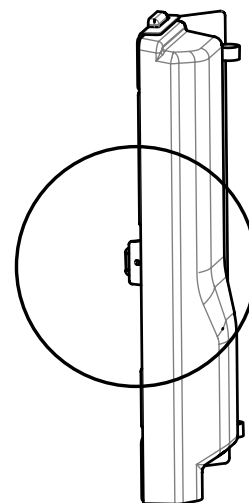
Swing the cover out from the bottom, then pull the cover down to disengage the top tab from the mount bracket slot.

Disconnect the cables labelled 'Top Motor' and 'Top Motor Signal' from the control board **ONLY**.



ILL2681-D

Remove any cable ties above the enclosure to free the 2 cables to the top exhaust motor then free these cables. Remove the single centre screw holding the electronics enclosure to the mount plate.



ILL3118-A

Leave any remaining wires and hoses connected within the electronics enclosure. Rest the electronics enclosure on the tank in a drained and dry position.

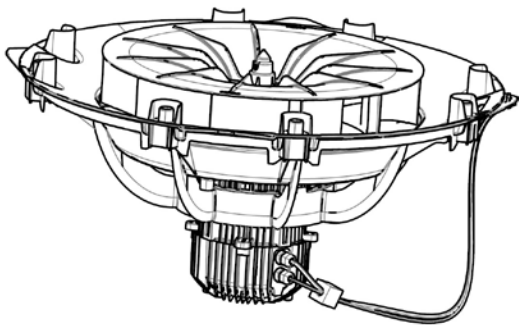
APPENDIX B: 'PIECE BY PIECE' INSTALLATION

If you have successfully freed the top motor cables, you will be able to lift the top motor/fan assembly out from the top of the cooler by lifting it up vertically.



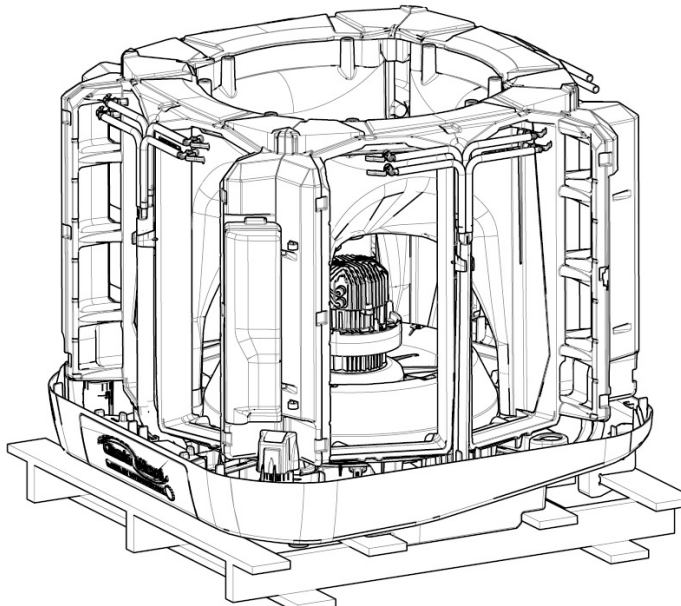
ILL2797-A

Important! This assembly weighs approx. 22kg. Use the appropriate mechanical aids and lifting technique to avoid injury. Set this assembly aside.



ILL3120-A

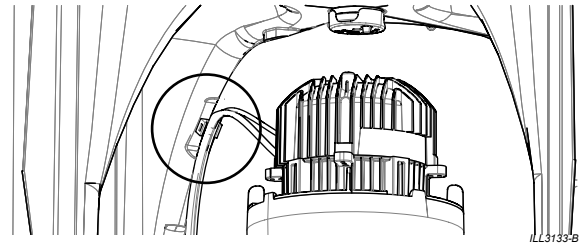
Cooler with Exhaust Venturi assembly removed.



ILL3115-A

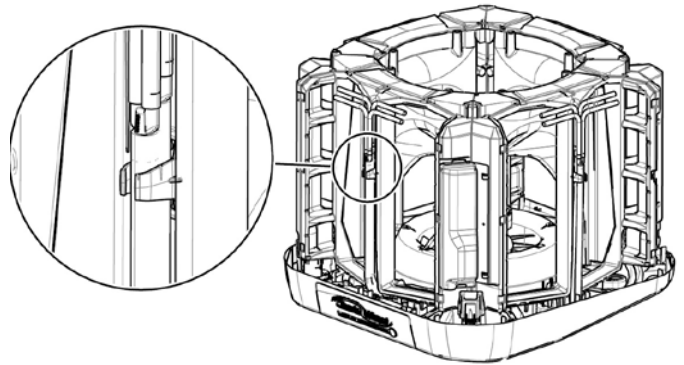
Removing the plenum assembly:

Reach in to the supply chamber of the cooler and cut the cable tie that is loosely constraining the cables to the inner plenum.

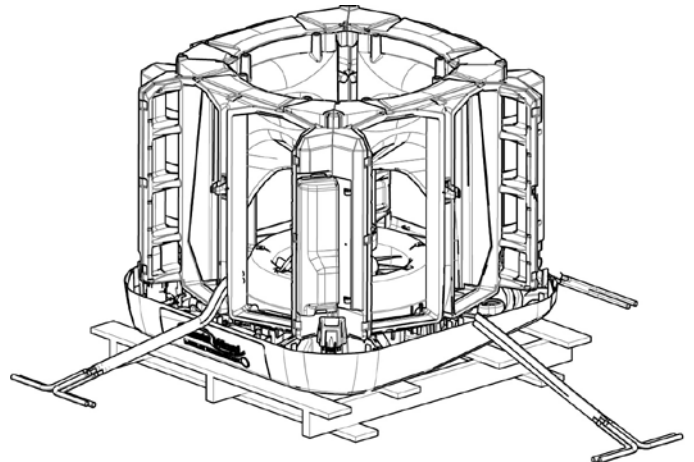


ILL3133-B

Remove the vertical hose pillars from the hose restraints on all 4 sides and let them hang freely.



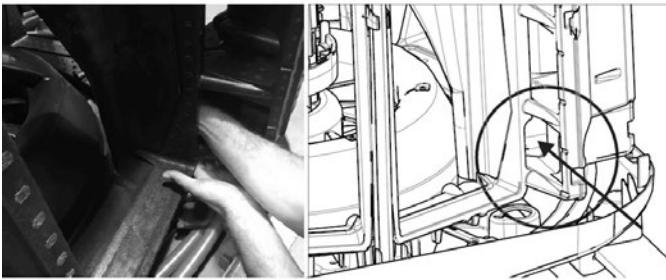
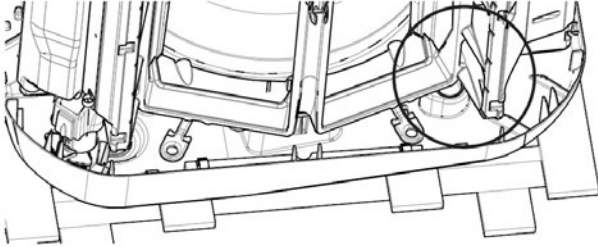
ILL3121-A



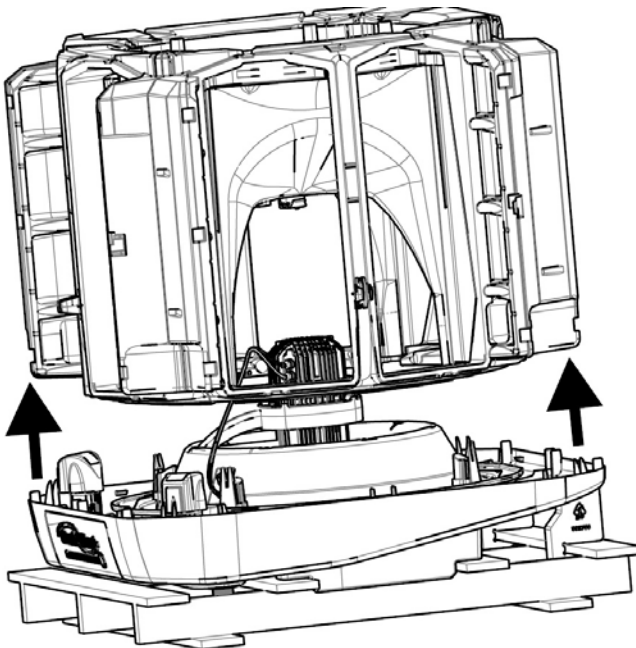
ILL3122-A

APPENDIX B: 'PIECE BY PIECE' INSTALLATION

There is an opening at the bottom of the foam plenums which will allow hand access to the clips which are holding the inner plenum to the supply venturi assembly. These need to be unclipped on all 4 sides to free the plenum assembly. Reach in and pull the clip backwards towards you then carefully pop the plenum up. Repeat this on all four corners until the plenum pops up freely.

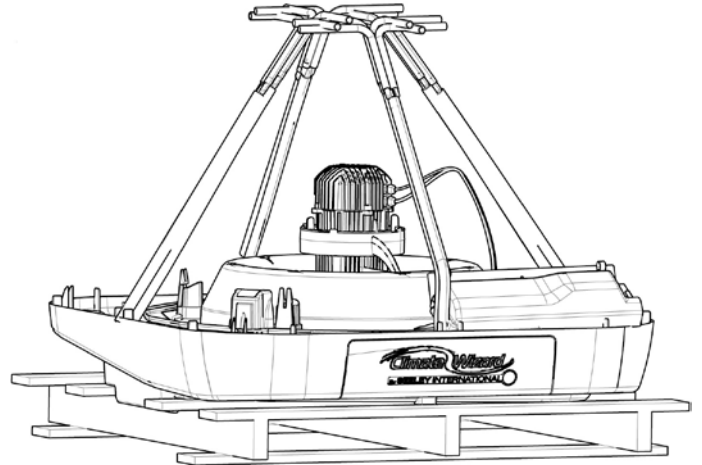


Lift the assembly up and set aside. Do not disassemble the foam from the inner plenum.



ILL3124-A

Reposition the vertical hose pillars so that they are resting inside of the tank where they are out of the way.



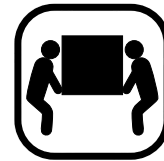
ILL2801-B

COOLER READY TO LIFT.

DO NOT BREAK DOWN ANY FURTHER.

Transporting the cooler to the roof:

Caution! Do not take risks when raising the cooler to the roof for installation. Use safety equipment, appropriate procedures and always have assistance. It is recommended that at least 2 people transport the cooler components onto the roof. Ensure the cooler is in the specified state of disassembly before transporting.

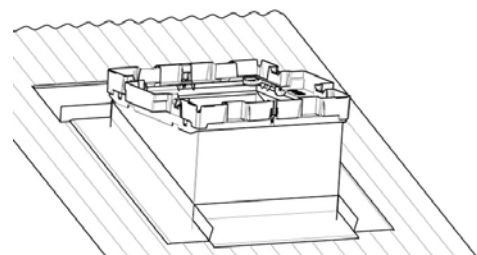
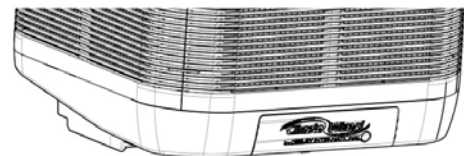


ILL3332-A

Begin by securing the hoses, mains and communication cables in the tank with some duct tape to prevent the hose circuits becoming tangled and dislodged whilst lifting.

Attach ropes or slings through the central tank hole. Do not drop the cooler. Always handle the cooler with care. If you intend to pull the cooler onto the roof using a ladder as a slide, then guide the cooler on the underside of the tank. Important! This assembly is bulky and weighs approx. 35kg.

With a minimum of two persons, transport the bottom half of the cooler to the roof.



ILL3028-A

APPENDIX B: 'PIECE BY PIECE' INSTALLATION

Important! It is best to leave all other components and assemblies on the ground until they are required in order to avoid injury and to prevent damage to the components.

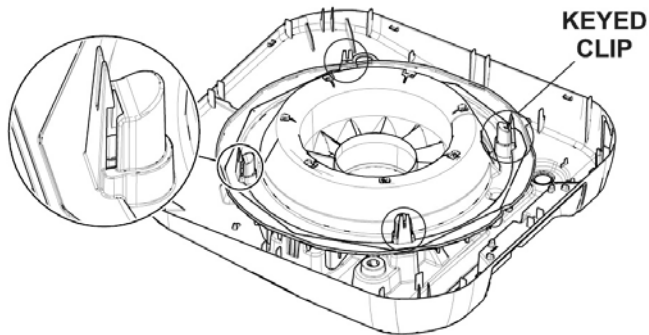
Follow instructions under INSTALLATION heading for mounting cooler tank to the dropper transition.

Reassembly of the Cooler

Important! Carefully follow these steps in order to correctly reassemble the cooler.

Transport the plenum assembly to the roof. There are 4 female clips on the legs of the plenum assembly which engage with the 4 male clips on the supply venturi.

The male clip closest to the drain valve is keyed and will only engage when the plenum assembly is orientated correctly.



Important! Be sure to be careful with the clips! Make sure they are properly aligned before attempting to engage. Do not force the clips! Excessive force may cause them to break.

Connect the plenum assembly to the supply venturi assembly on the dropper

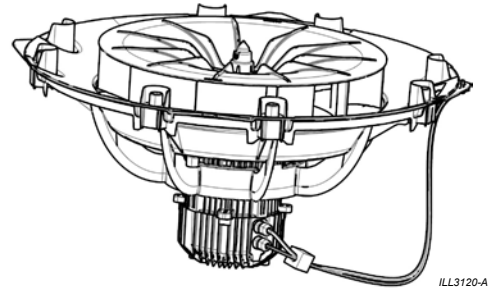
Important! Check to make sure that the foam plenums are firmly and correctly fitted to the plenum inner as this forms a sealing face.

Reinstall electronics enclosure in its original position and secure with the clips and screw.

Transport the top motor/fan assembly to the roof.

Important! This assembly is bulky and weighs 22kg. Use the appropriate mechanical aids and lifting technique to avoid injury.

The assembly is keyed to ensure the motor cable exits to the correct orientation in the cooler.

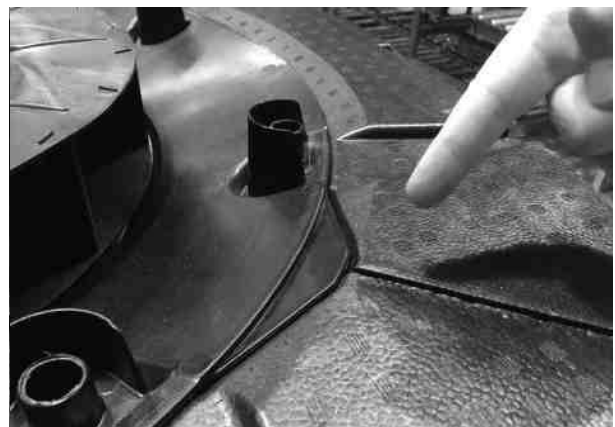


Install top motor/fan assembly to the top of the plenum in reverse order of that specified on Pg's 31 - 33. Ensure cables are oriented towards the electronics enclosure location and re-secure cables using cable ties. Lift the top fan assembly up and locate the assembly onto the plenum spigots.

Be sure to direct the motor cables through the gap in the foam plenum. Ensure the top motor/fan assembly forms a good seal with the foam and that the cables are sitting in their dedicated slots.



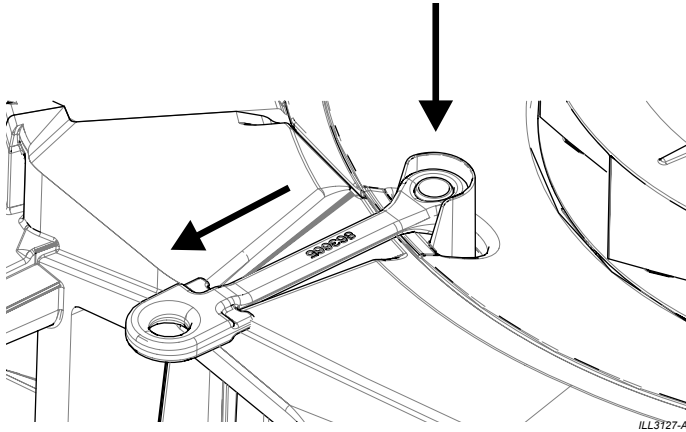
There should be no gap between the foam and top fan assembly.



APPENDIX B: 'PIECE BY PIECE' INSTALLATION

Route the top motor cables down to the electronics enclosure via the cable restraint built into the foam plenum that is closest to the drain valve (i.e. the right hand side foam plenum when facing the front of the cooler). Reconnect the cables according to the corresponding labels. Refer to the wiring diagram shown in "Removing the Top Motor/Fan Assembly."

Reinstall all 8 manifold retention straps onto the top motor/fan assembly. Slide the ring end over the spigot. Stretch the strap so that the head of the strap pulls back against the manifold to retain it.

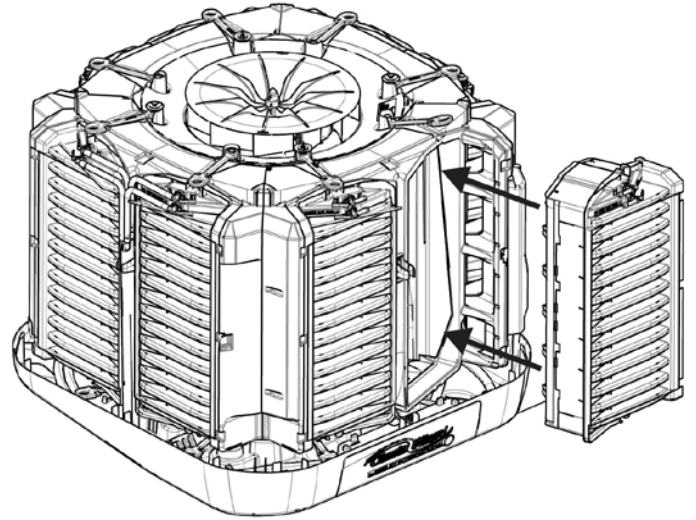


Loosely constrain the cables in the plenum area to the cable tie mount on the plenum.

Adjust the cable routing runs and neaten up the cable runs in the tank. Re-fit cable ties to constrain the cables such that they are suspended above the water.

Refit the electronics cable cover and screw to the plenum.

Transport all 8 manifold assemblies to the roof and fit to the cooler. To do this, carefully slide the manifolds into the plenum outer ensuring a tight fit with no gaps between the interfacing surfaces. All manifold assemblies should mate firmly with the plenum outer to form a good sealing face. Handle the manifolds with care. Excessive force may damage the foam and/or manifold assembly.



Secure the manifold assemblies by pulling and locking the lower and upper manifold retention straps into the dedicated slots on the manifolds.



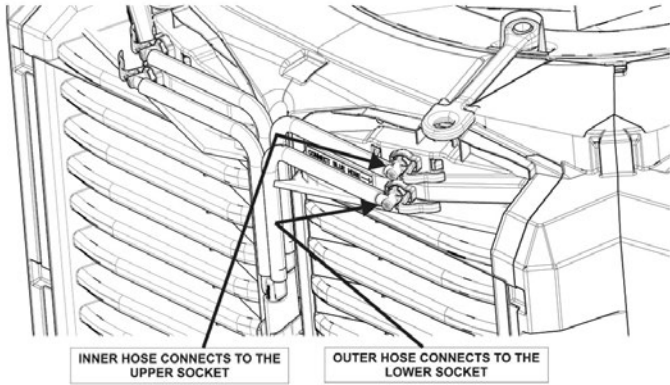
Reconnect the vertical hose pillars to the hose restraint clips on the foam plenums.



APPENDIX B: 'PIECE BY PIECE' INSTALLATION

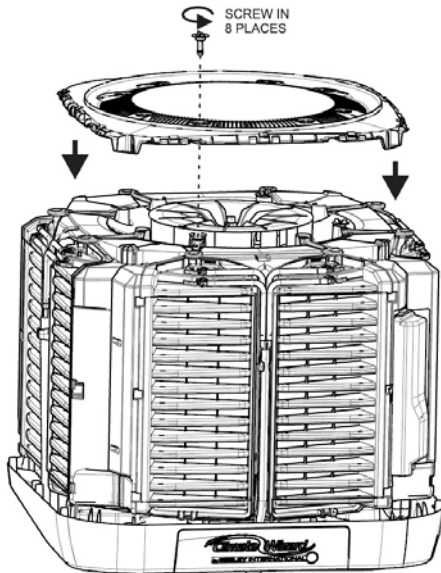
Plumb and connect all hoses to the manifold assemblies as shown. Inner hoses (grey) are to be connected to the upper manifold connection point. Outer hoses (blue) are to be connected to the lower manifold connection point.

Important! It is imperative that the water distribution hoses are connected correctly.



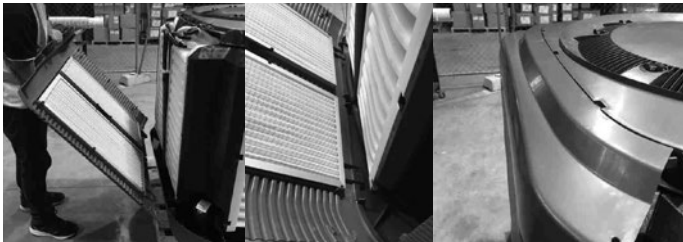
ILL2816-A

Transport the lid to the roof and reinstall. Tighten all 8 lid screws uniformly and adequately.



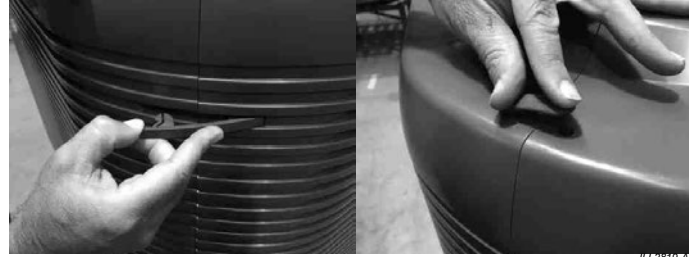
ILL2817-A

Transport the side panel assemblies to the roof. To reinstall all 4 side panel assemblies, rest the bottom lip of the side panel on the tank guide ribs and engage the clips on an angle as shown. Mate the top edge of the side panel with the lid and press fit along the top surface. The panel will lock into place with the lid. For installation of successive side panels, ensure side ribs are neatly interfacing. These can be pressed in with moderate force.



ILL2818-A

Once all 4 side panels are fitted, refit all 8 side clips and all 4 top clips.



ILL2819-A

WARRANTY TERMS (AUSTRALIA)

HOW TO REGISTER YOUR PRODUCT WARRANTY (Australia only)

Please register your warranty online by visiting seeleyinternational.com

Step 1 - select “**Support**” then “**Register for Warranty**”

Step 2 Enter your product serial number and “**Submit**”

Step 3 Enter the required information and “**Submit**”

Important Note: You need to have the following information to complete your registration:

- your unit model and size
- serial number
- date your system was installed
- name of the dealer you purchased it from

Please complete this section. You will also need to retain your purchase receipt, and proof of any warranty period extension.

Brand: _____

Model: _____

Serial No: _____

Customer Name: _____

Installation Address: _____

Installation Type: Residential / Non Residential / Commercial

Date of installation: _____

Installer / Dealer: _____

As with any product that has moving parts or is subject to wear and tear, it is **VERY IMPORTANT** that you maintain your Cooler and have it regularly serviced. It is a condition of warranty cover for your Cooler that you comply with all of the maintenance and service requirements set out in the Owner's / Operation / Service Manual. Compliance with these requirements will prolong the life of your Cooler. Further, it is also a condition of warranty cover that each item in the Maintenance Schedule in the Owner's / Operation / Service Manual is performed with the frequency indicated, by a qualified, licensed technician, and that the Maintenance Schedule is properly filled out (i.e. names, signature, date, and action taken) when the item is completed.

ANY FAILURE TO CARRY OUT THE REQUIRED MAINTENANCE AND SERVICING REQUIREMENTS, AND ANY FAILURE TO PROPERLY FILL OUT THE MAINTENANCE SCHEDULE, WILL VOID YOUR WARRANTY.

WARRANTY TERMS (AUSTRALIA)

In this warranty:

We or us means Seeley International Pty Ltd (Seeley) ABN 23 054 687 035, and our contact details are set out at the end of this warranty;

You means you, the original end-user purchaser of the Goods;

Supplier means the authorised distributor or retailer of the Goods that sold you the Goods in Australia;

Goods means the product, unit, appliance or equipment which was accompanied by this warranty and purchased in Australia; and

Relevant Warranty Period means the various warranty periods as described in clause 1 below, as appropriate.

Our Goods come with guarantees that cannot be excluded under the Australian Consumer Law. You are entitled to a replacement or refund for a major failure and for compensation for any other reasonably foreseeable loss or damage. You are also entitled to have the Goods repaired or replaced if the Goods fail to be of acceptable quality and the failure does not amount to a major failure.

In addition to any rights and remedies that You may have under the Australian Consumer Law or any other law, subject to the terms of this warranty, We provide the following warranty:

1. If during the first five (5) years from the date of purchase when the Goods are used for personal, residential household purposes, and for one (1) year for any other purpose (including commercial use) the Goods upon examination prove defective by reason of improper workmanship or material, We will repair or replace, at our option, the Goods or any part thereof without charge for either parts or labour, during normal working hours.
2. The warranty granted under clause 1 applies to all components which form part of the original cooler, but does not cover:
 - a) fair or normal wear and tear;
 - b) damage, loss or claims caused by, resulting from, or arising out of any utilities that service or are connected to the Goods. This includes but it is not limited to electrical surges, and inadequacies, failure, or other problems in or with any electricity, power, or water supply to the Goods;
 - c) after the first year: (i) the replacement, supply, or servicing of consumable items (including without limitation cooler pads, washers, seals, drive belts) and (ii) maintenance adjustments to the cooler; and
 - d) despite clause 2.c. above, air filters;
 - e) installation (including without limitation ductwork, fittings, and other related installation components) which is excluded.
 - f) batteries (including damage caused by leaking or faulty batteries), cracking or breaking of display screens in controllers, physical damage caused by the user or third parties, and accidental breakage.
3. During the period to which any expressed warranty applies, all defective part(s) shall be replaced or repaired (at the discretion of Seeley) without charge for either parts or labour, during normal working hours. Should we deem in our absolute discretion to replace the Goods pursuant to clause 1, we may substitute any similar good even if it is not on our current price/equipment list. Further, Goods presented for repair may be replaced by refurbished goods of the same type rather than being repaired. Refurbished parts may be used to repair the Goods.
4. We are under no obligation to repair or replace the Goods or Parts under clause 1 above if (i) the Goods have not been installed and commissioned in accordance with the Installation Manual (ii) the Goods have not been installed and commissioned properly or competently, (iii) the Goods have not been operated, serviced and maintained in accordance with the instructions provided in the Owner's Manual, or (iv) if any such service or maintenance has not been properly or competently performed. It is a condition of warranty cover that each item in the Maintenance Schedule in the Owner's / Operation / Service Manual (if it was published with such a Schedule) is performed with the frequency indicated, by a qualified, licensed technician, and that the Maintenance Schedule is properly filled out (ie names, signature, date, and action taken) when the item is completed. Any failure to carry out the required maintenance and servicing requirements, and any failure to properly fill out a Maintenance Schedule in the Owner's Manual, will void your warranty. The addition of any third party device, (except where it is required by the installation instructions and complies with those instructions), or the removal or alteration of any Seeley component, or damage due to misuse of the unit, or faulty installation or commissioning, will void this warranty.
5. As far as the law permits, We will not be liable for any consequential loss suffered through, or resulting from, the non-operation, or ineffective operation of the cooler. The warranties granted under clause 1 do not cover damage to the cooler or other loss resulting from acts of God.
6. No other person, company or corporation is authorised to offer, or give on our behalf, any other warranty. The benefits conferred are in favour of You and any person deriving title to the cooler whilst in its original place of installation. Nothing in this warranty shall be construed as affecting any rights You may have under all the relevant laws, or Commonwealth or State Legislation which give You rights which cannot be modified or excluded by agreement.
7. In order to claim under the warranties granted under clause 1 You must:
 - a) either:
 - contact us within the Relevant Warranty Period on Australia 1300 650 644; or
 - log a warranty claim on our website (website address below) within the Relevant Warranty Period; and
 - b) make available for inspection by the service agent who will come to the location of the Goods or send to us at the address below within the Relevant Warranty Period: (i) the legible and unmodified original proof of purchase, which clearly indicates the name and address of the original retailer, the date and place of purchase, the product name or other product serial number, (ii) all of your records of all service and maintenance carried out to the Goods, plus the Maintenance Schedule in the Owner's Manual (if it was published with such a Schedule), (iii) a copy of the completed Warranty Information section above, and (iv) if an extended warranty period was provided by Seeley International for the Goods, then the relevant document provided by Seeley International confirming that extended warranty period. If you choose to send the documents described in (i) to (iv) to Seeley International, then they must be accompanied by a covering letter which states your name and address and daytime telephone number, the address at which the Goods are installed, and the model and serial number of the Goods.

WARRANTY TERMS (AUSTRALIA)

8. The warranty granted in clause 1 covers the costs of parts and labour but you will be responsible for:
 - a) the cost of travel incurred for a Seeley International service agent to get to and from the location of the Goods if the location of the Goods is either: (i) outside the metropolitan areas of the capital cities; or (ii) more than 35 kilometres from an authorised Seeley International branch or service representative; and
 - b) any costs for additional labour or equipment associated with gaining acceptable and safe service access to the Goods installed in restricted, high or unsafe locations, and/ or the removal and replacement of any barrier, walls, roofs, fences etc; and
 - c) any costs incurred by the Seeley International service agent in gaining access to the Goods which is necessary to comply with any safety or workplace safety requirements and/or any other relevant regulations. For the avoidance of doubt, the reference to any costs incurred also includes the cost of any necessary site inductions.
9. We are not responsible in any way for any failure and/or inadequate performance of the Goods which arises from or is connected to the use in the Goods of non-genuine spare parts. Seeley International strongly recommends that only spare parts supplied or approved by it are used in the Goods.
10. The employees and Executive of Seeley International are not responsible for the installation of the Goods and expressly disclaim all liability resulting from incorrect installations or installations that do not conform to local electrical codes, local plumbing codes, Occupational Health and Safety requirements, and by laws which are legislated or in effect at the time of installation.
11. This warranty is only valid and enforceable in Australia.

Note: It is important that the safety and privacy of our service technicians is protected at all times. Accordingly, We and our Seeley International service agents reserve the right to refuse service if (i) safety and accessibility to the unit cannot be guaranteed or (ii) the owner of the unit, occupant of the site where the Goods are located, or any other third party seeks to take photographs, or make a video or audio recording, of the service technician(s) while they are on the site or carrying out service to the unit. If a service technician attends the site but subsequently leaves for any of these reasons then a service charge will be made for the call which charge shall be a debt immediately due and payable by the person or entity that has made the claim under this Warranty. If a service call reveals no warranty fault found with the Goods, a charge will be made for the call.

Our liability under this warranty is limited to the extent permitted by law. That is, to the extent that it is fair and reasonable, if the Goods are not of a kind ordinarily acquired for personal, domestic or household use or consumption, your remedies associated with any failure or defect of the Product will be limited to:

- a) the replacement of the Goods or the supply of equivalent goods;
 - b) the repair of the Goods;
 - c) the payment of the cost of replacing the Goods or of acquiring equivalent goods; or
 - d) the payment of the cost of having the Goods repaired
- and subject to the terms and conditions included in this warranty.

SERVICE DEPARTMENT

Seeley International Pty Ltd
112 O'Sullivan Beach Road
Lonsdale, South Australia 5160
Customer Service Centre 08 8328 3844
Website: www.seeleyinternational.com

FOR SERVICE

To book a Service on your Seeley International product:
Visit www.seeleyinternational.com the select **“Support”** and **“Find Agent / Book Service”** then enter the required information.
or Phone 1300 650 644 to be directed to your closest authorised Service Agent.

PRIVACY NOTICE

Seeley International Pty Ltd ABN 23 054 687 035 will use the personal information you provide us with to provide warranty support for the product you have purchased and to inform you about other products and services. If you choose not to supply us with the information requested, we may be unable to provide you with warranty support. We may also disclose your information to third parties, such as related entities; retailers, distributors, service agents and contractors who are affiliated with us; or marketing or market research companies. If you would prefer not to receive direct marketing communications from us, please follow the instructions to “unsubscribe” which will be included in the direct marketing communications we send you, or contact our Privacy Officer using the details set out below. While we do not currently transfer personal information to overseas recipients or store personal information overseas, if we transfer your information to third parties who do so, we will take reasonable steps to ensure that the overseas recipients do not breach the Australian Privacy Principles. By registering your warranty, you consent to having your personal information used in this way. Please read our Privacy Policy on our website www.seeleyinternational.com for further explanation of how we collect, use, hold and disclose personal information, and how you may access and seek correction of your information. It also sets out how you may complain about a breach of the Australian Privacy Principles, and how we will deal with your complaint. You may contact us at: Privacy Officer, Seeley International Pty Ltd, 112 O'Sullivan Beach Road, Lonsdale, South Australia 5160.

WARRANTY TERMS (USA)

In this warranty:

We or **Us** means Convair Cooler Corporation doing business as Seeley International Americas (“SIA”), and our contact details are set out at the end of this warranty;

You and **Purchaser** means the original end-user purchaser of the Goods;

Supplier means the authorized distributor or retailer which sold you the Goods;

Goods means the CW3, CW-H, or CW80 model of the Climate Wizard cooler which was accompanied by this warranty and is intended for industrial and commercial use and not for personal, residential, or household use. There is no warranty on the Goods for personal, residential, or household use; and

Relevant Warranty Period means the warranty period described in “Express Limited Warranty” below.

Do not use cooler cleaners, cooler treatment, or other additives to your cooler. The use of any of these products will void your warranty and may impair the performance of your cooler.

ELIGIBILITY: THE COOLER MUST BE REGISTERED WITHIN 45 DAYS OF INSTALLATION AT:

www.seeleyinternational.com/americaswarranty

SIA SHALL HAVE NO LIABILITY RELATED TO THE CLIMATE WIZARD COOLER OTHER THAN FOR BREACH OF THE EXPRESS WARRANTY STATED HEREIN, AND YOU RELEASE AND DISCHARGE US FROM ALL OTHER CLAIMS, WHETHER IN CONTRACT OR TORT, BY STATUTE OR COMMON LAW, AND YOU FURTHER AGREE TO INDEMNIFY AND HOLD US HARMLESS FROM ALL OTHER CLAIMS (INCLUDING BUT NOT LIMITED TO CLAIMS ALLEGING PRODUCT LIABILITY, STRICT LIABILITY, DECEPTIVE TRADE PRACTICES, BODILY INJURY, AND/OR PROPERTY DAMAGE) TO THE MAXIMUM EXTENT PERMISSIBLE UNDER LAW).

THE EXPRESS WARRANTY PROVIDED HEREIN BY SIA IS THE SOLE AND EXCLUSIVE WARRANTY AND IS IN LIEU OF ALL OTHER WARRANTIES, WHETHER EXPRESS OR IMPLIED, INCLUDING BUT NOT LIMITED TO THE IMPLIED WARRANTIES OF MERCHANTABILITY AND FITNESS FOR A PARTICULAR PURPOSE, WHICH ARE HEREBY DISCLAIMED. EXCEPT FOR THE EXPRESS LIMITED WARRANTIES HEREIN, THE CLIMATE WIZARD COOLER IS SOLD “AS IS, WHERE IS.” NO OTHER PERSON OR ENTITY IS AUTHORIZED TO OFFER, OR GIVE YOU, ON OUR BEHALF, ANY OTHER WARRANTY.

EXPRESS LIMITED WARRANTY TERM:

SUBJECT TO THE CONDITIONS AND EXCEPTIONS STATED HEREIN, SIA warrants the CLIMATE WIZARD COOLER sold by SIA as follows:

1. SIA warrants the Cooler cabinet only (base, top, side panels) against corrosion due to normal operation for 1 year.
2. SIA warrants the structural integrity of all plastic components against defects in materials or workmanship for 1 year.
3. SIA warrants, for 1 year, the original factory-installed water pumps, motors, Chlorinator, Water Solenoid, Water Probe, Drain Valve and controls against all defects in material and workmanship.
4. SIA warrants the factory installed cooler pads (cores) against de-lamination due to manufacturing defects for 1 year. REPLACEMENT OF AIR FILTERS AND/OR COOLER PADS DUE TO NORMAL WEAR AND TEAR IS A COMMON MAINTENANCE FUNCTION AND IS NOT COVERED BY THIS WARRANTY.
5. All labor costs incurred for installation, removal, or re-installation are the purchaser’s responsibility.
6. All shipping costs for replacement parts are the purchaser’s responsibility.

EXPRESS LIMITED WARRANTY COMMENCEMENT:

Warranty coverage begins on the installation date. The installation date is either:

1. The date that the Cooler was originally commissioned (commissioning being the process that occurs on, or shortly after, the Cooler is installed whereby the installer checks the installation of the Cooler, and makes any final adjustments, before hand-over to the purchaser). The date the Cooler was commissioned must be provided to Seeley at the time of warranty registration; or
2. If the date the Cooler was originally commissioned cannot be verified by Seeley, the installation date shall be deemed to be the date on the purchaser’s invoice for the purchase of the Cooler.

However, if the Cooler is not installed within 90 days of the date on the purchaser’s invoice for the purchase of the Cooler, then the warranty coverage commences on the date that is 90 days from the date on the purchaser’s invoice.

THE DATE ON THE PURCHASER’S INVOICE FOR THE PURCHASE OF THE COOLER MUST BE GENUINE. A NON-GENUINE DATE WILL NOT BE ACCEPTED BY SIA.

LIMITED REMEDIES:

THE EXPRESS REMEDIES PROVIDED HEREIN ARE THE SOLE AND EXCLUSIVE REMEDIES FOR ALL CLAIMS RELATED TO THE CLIMATE WIZARD, AND ARE IN LIEU OF ALL OTHER REMEDIES, WHICH ARE HEREBY DISCLAIMED BY SIA AND WAIVED BY YOU TO THE FULLEST EXTENT PERMISSIBLE BY LAW (INCLUDING BUT NOT LIMITED TO WAIVER OF ALL DECEPTIVE TRADE PRACTICES STATUTES).

WARRANTY TERMS (USA)

EXPRESS LIMITED REMEDIES:

SUBJECT TO THE CONDITIONS AND EXCEPTIONS STATED HEREIN, your remedies for any claim related to the CLIMATE WIZARD COOLER are limited to the following:

1. For breach of the foregoing Express Limited Warranty, if a claim is timely made within the applicable Relevant Warranty Period, **THE SOLE AND EXCLUSIVE REMEDY SHALL BE, AT THE OPTION OF SIA AND AT SIA'S COST, TO REPAIR/ REPLACE THE DEFECTIVE PART, REPLACE THE COOLER, OR REFUND THE PURCHASE PRICE PAID** for the Climate Wizard cooler (any such refund excluding price paid by end-user for delivery, installation, service, repairs and/or maintenance). If SIA elects to replace or repair either parts or coolers, SIA may, in its discretion, use refurbished parts or coolers in making the replacement or repairs, and may, in its discretion, substitute similar SIA authorized parts or coolers instead of the identical warranted part or cooler, even if such parts or coolers are not on its current price/equipment list. You shall have no recourse for breach of the Express Limited Warranty if written notice of claim is not received by SIA within the applicable Relevant Warranty Period, in which case your claim shall be deemed time-barred for all purposes.
- 2.
3. **EXCLUSIONS FROM EXPRESS LIMITED WARRANTY.** The EXPRESS LIMITED WARRANTY excludes coverage for and SIA disclaims (and you hold harmless from and indemnify SIA against) any and all liability to or for:
 1. Anyone other than You or any person directly deriving title to the Climate Wizard cooler from You whilst in its original place of installation; (i.e. this Express Limited Warranty is assignable by You only to the person or entity who directly acquires or buys from you your business and/or property, but the assignee has no further right of assignment); and
 2. Normal wear and tear; and
 3. The cooler's cooling performance, efficiency, water, and electricity consumption, all of which may vary widely depending upon the environment in which the cooler is installed and operates, the area, composition and insulation of the interior structure which it is intended to cool, and how it is used; and
 4. Damage, loss or claims caused by, resulting from, or arising out of any utilities, including, but not limited to, electrical surges, and inadequacies, interruptions, failure, or other problems in or with electricity, power, or clean water supply to the cooler; and
 5. Damage, loss or claims caused by, resulting from, or arising out of installation, servicing, maintenance, or repair that is not performed in accordance with SIA's written instructions; and
 6. The replacement, supply, or servicing of consumable items (including, without limitation, washers, seals, bearings, drive belts, float valves, plumbing components, cooler pads); and
 7. Calcification of the cooler pads, since calcification may be affected by minerals in the water supplied to the cooler and in the ambient air; and
 8. Installation or re-installation of the cooler (including without limitation related ductwork, fittings, and other installation components) which is the responsibility of your Supplier and/or installer; and
 9. Acts of God or nature, e.g., fire, flood, tornado, power outage, lightning, dust storm; or acts of theft or vandalism; or any intentional act which impairs the utility of or damages the cooler; and
 10. All costs of labour and travel incurred in connection with repairing or replacing a defective part or the cooler; and
 11. Any costs incurred by Us in connection with a warranty claim which We determine is not a valid claim covered by the Express Limited Warranty; and
 12. Personal, residential, or household use of the Climate Wizard cooler.

LOSS OF EXPRESS LIMITED WARRANTY:

THE EXPRESS LIMITED WARRANTY SHALL BE NULL AND VOID, ALL LIABILITY FOR BREACH OF SUCH WARRANTIES OR OTHERWISE SHALL BE DEEMED DISCLAIMED, AND YOU SHALL WAIVE ALL RIGHTS AND REMEDIES OF ANY KIND FOR ANY ALLEGED DEFECT IN THE CLIMATE WIZARD COOLER, IF:

1. The Climate Wizard cooler has not been installed and commissioned, in accordance with the instructions in the Owner's Manual, by a qualified, licensed, properly trained technician; OR
2. The Climate Wizard cooler has not been operated by you, and/or serviced and/or maintained by a qualified, licensed technician, in accordance with the instructions provided in the Owner's Manual; OR
3. You fail to maintain and present with any notice of claim the up-to-date Maintenance Schedule (if same is contained in the Owner Manual) showing all work performed on the cooler from installation, the date of each work item, a description of the work performed, and the name, signature and contact details of the qualified, licensed technician who performed the work; OR
4. Any installation, commissioning, service or maintenance has not been properly or competently performed in accordance with applicable electrical, plumbing, building and safety codes and regulations; OR
5. Use of any replacement parts or spare parts not authorized by SIA; OR
6. Addition of any third party device to (except where such addition is required by the installation instructions and complies with those instructions), or the removal, modification, or alteration of, the Climate Wizard cooler or any SIA component thereof; OR
7. The Climate Wizard cooler has been moved from the original place of installation (whether at the same premises or to different premises).

EVEN IF THE EXCLUSIVE CONTRACTUAL REMEDY (OF REPAIR, REPLACEMENT, OR REFUND OF THE PURCHASE PRICE) PROVIDED HEREIN FAILS OF ITS ESSENTIAL PURPOSE, SIA SHALL NOT BE LIABLE TO YOU FOR ANY CONSEQUENTIAL, INCIDENTAL, INDIRECT, PUNITIVE, EXEMPLARY, OR SPECIAL DAMAGES, INCLUDING, WITHOUT LIMITATION, LOST REVENUES, DOWNTIME, LOSS OF USE, SUBSTITUTE EQUIPMENT, GOODWILL, DAMAGE TO OR REPLACEMENT OF YOUR OTHER EQUIPMENT AND PROPERTY. IN NO EVENT SHALL OUR LIABILITY EXCEED THE PURCHASE PRICE PAID FOR THE GOODS.

WARRANTY TERMS (USA)

CONDITIONS TO WARRANTY CLAIM:

Failure to comply with the following conditions shall waive your warranty claim and release and discharge Us from any liability for same.

1. **NOTICE.** In order to make a claim hereunder, **You must send to the original Supplier of the cooler**, or a cooler contractor authorized by Us, or Us, written notice of the claim made, describing the breach claimed with particularity, stating the date you first learned of it, with your name, address and daytime telephone number, the address at which the Goods are installed, and the model and serial number of the Goods, by mail or (if to Us, then you may also do this through our website (see details below)), and the written notice (or claim lodged through our website) must be received within the Relevant Warranty Period:
 - If by mail to Us, then to:
Customer Service Department
Seeley International (Americas)
4430 Glencoe Street
Denver, CO 80216
United States of America; or
 - If to Us through our website, then at:
www.seeleyinternational.com/americaswarranty
2. **PROOF OF PURCHASE AND SERVICE RECORDS.** You shall, in our discretion, within the Relevant Warranty Period, either send to us at the address below, or make available for inspection by the authorized person or company who repairs or replaces the defective part or cooler: (i) the legible and unmodified original proof of purchase, which clearly indicates the name and address of the original retailer, the date and place of purchase, the product name or other product serial number, and show you as the original end-user customer for the Goods, (ii) all of your records of installation, service and maintenance carried out to the Goods, plus the up-to-date Maintenance Schedule (if same exists) in the Owner's Manual, and (iii) your name and contact details.
3. **SAFE ACCESS TO THE GOODS.** You shall provide Us, or the authorized person or company that repairs or replaces the defective part or cooler, safe access to your premises and the specific location on your premises where the Goods are installed so that We and/or that authorized person or company may safely access and inspect the Goods and, if a breach of warranty is confirmed, make repairs or replace parts, whichever remedy We elect in our discretion.

DISPUTE RESOLUTION:

1. **GOVERNING LAW.** This Limited Warranty and all disputes arising from or related to the Climate Wizard cooler sold herewith shall be governed by the Federal Arbitration Act and the laws of the State of Denver, excluding its conflicts of law rules and excluding application of the U.N. Convention on Contracts for the International Sale of Goods.
2. **FORUM.** All disputes arising from or related to this Limited Warranty or the Climate Wizard cooler (including but not limited to the validity of this arbitration clause) shall be exclusively resolved by binding arbitration conducted by an arbitrator pursuant to the Commercial Arbitration Rules of the American Arbitration Association in Denver, Colorado. You waive the right to join your claim with the claims of any other claimants in a class action or other proceeding, to the maximum extent that such waiver is permissible. The courts in Denver, Colorado shall be the exclusive venue for ancillary relief in aid of arbitration, to which venue and jurisdiction all parties consent. The arbitral award shall be final and non-appealable and shall be enforceable in any court of competent jurisdiction. You agree to maintain the confidentiality of and not to disclose the claims made in the arbitration, the evidence submitted therein, or the arbitral award, subject to both parties' rights to entry of judgment upon the award by a court of competent jurisdiction. This arbitration clause shall be binding upon all parties to a claim that relates in any way to this Limited Warranty or the Climate Wizard cooler, including Us, You, the Supplier, and all third parties.
3. **ATTORNEYS' FEES AND COSTS.** The prevailing party in any legal proceeding shall be entitled to recover its/his or her reasonable attorneys' fees and costs (including arbitration fees and costs paid).
4. **BINDING EFFECT.** This Limited Warranty is binding upon and shall inure to the benefit of Convair Cooler Corporation and its parent company, Seeley International Pty Ltd of Australia, which is the manufacturer of the Goods, and which has made a Limited Warranty to SIA that corresponds to this Limited Warranty; and to You and any person directly acquiring title to the Climate Wizard cooler from You whilst in its original place of installation.

MISCELLANEOUS:

1. **Severability.** If any provision hereof is determined to be invalid or unenforceable, the remainder of this Limited Warranty shall continue in full and effect.
2. **Captions.** The captions or headings used for the provisions hereof are used for convenience only and shall not be interpreted to restrict the plain meaning of the provisions themselves.

TO CONTACT US:

Customer Service Department
Seeley International (Americas)
4430 Glencoe Street
Denver, CO 80216
Tel: +1 (303) 375-0878
www.seeleyinternational.com/americaswarranty

Affix serial & model
number sticker here



Warranty Service

Australia: 1300 650 644

New Zealand: 0800 589 151

Seeley International Technical Support

Australia: 1300 650 399

New Zealand: 0800 589 152

For all other regions, contact your local distributor:

seeleyinternational.com

Online Support Portal (AUS/NZ)

Scan or Click QR Code



It is the policy of Seeley International to introduce continuous product improvement.

Accordingly, specifications are subject to change without notice.

Please consult with your dealer to confirm the specifications of the model selected.